



2018-2022 Ford Drive-By-Wire Throttle Body Harness Installation PN 558-469

INSTRUCTION MANUAL – 199R12525

1.0 OVERVIEW

The Holley Dominator and Terminator X Max ECU's have built-in capability to control the Drive-By-Wire throttle pedals and throttle bodies used on most 2018-2022 Ford Coyote and 2020-2022 Ford Godzilla applications.

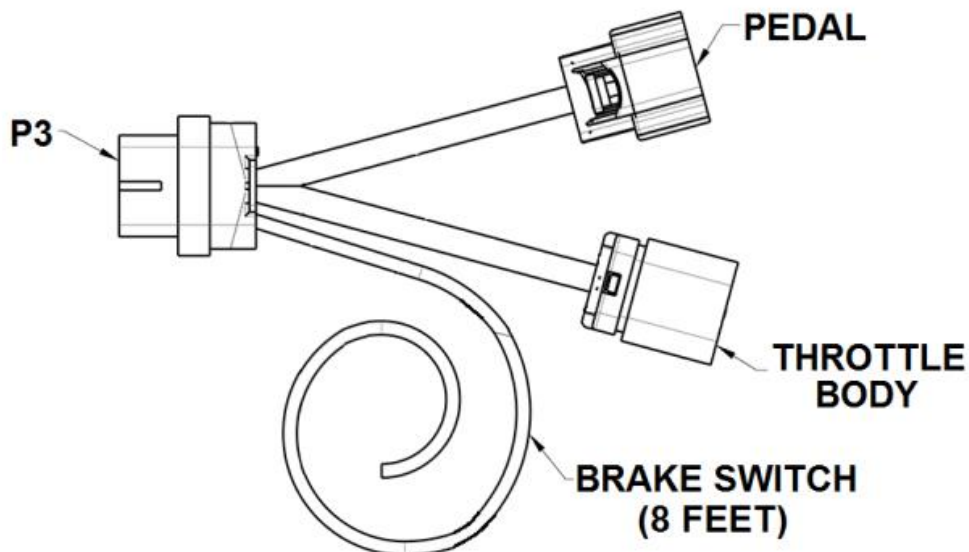
To ensure a safe and reliable installation, there are certain hardware requirements that **must** be followed:

Golden Rule: These are plug-and-play harnesses. If they don't plug, don't play.

Only the factory drive-by-wire throttle body has been pre-calibrated and approved for use with these harnesses. Some applications have different connectors, have not been tested, and are therefore not approved for use with the Holley ECU.

The 558-469 DBW harness is made for compatibility with the stock pedal assembly. The following pedal part numbers are compatible: BR3Z-9F836-D, BR3Z-9F836-C, and CR33-9F836-BA.

This harness is made for compatibility with the stock throttle body assembly (Part number: JL3E-9F991-AA). Earlier software versions will not have this part number listed in the throttle body type. However, it is acceptable to use the "Ford PN M9926-M52/FR3E-9F991-AA (15-17 Coyote)" Throttle Body option if "Ford PN M9926-M52/FR3E-9F991-AA/JL3E-9F991-AA (15-22 Coyote/Godzilla)" is not an option in your version of software.



2.0 WARNINGS!

WARNING! Use only the drive-by-wire wiring harness supplied by Holley.

WARNING! THIS HARNESS CAN NOT BE CUT, SHORTENED, LENGTHENED, TAILORED, OR MODIFIED UNDER ANY CIRCUMSTANCES!

WARNING! THE HARNESS CONTAINS PROTECTIVE SHIELDING / GROUNDED CABLING TO ENSURE PROPER OPERATION.
WARNING! DO NOT REMOVE OR MODIFY THE PROTECTIVE SHEATHING UNDER ANY CIRCUMSTANCES.

WARNING! HOLLEY ASSUMES NO LIABILITY FOR ANY INSTANCES ARISING DUE TO USE OF THROTTLE PEDALS, THROTTLE BODIES, OR ASSOCIATED COMPONENTS NOT SPECIFICALLY APPROVED BY HOLLEY.

3.0 INSTALLATION

Installation of both the drive-by-wire throttle body and pedal assembly should be performed by a professional, competent mechanic. It is important that the installation of both the throttle body and pedal assembly on an engine (not originally equipped with these components) be done in such a manner that assures proper operation of both components as intended by the OEM manufacturer.

- The throttle body must be installed in such a manner that the throttle plate(s) are allowed to rotate freely.
- The pedal assembly must also be installed in such a manner that it is rigidly and securely mounted, yet does not put the pedal in a bind, or put any mechanical stress on the electrical and electronic components. Proper positioning of the pedal is of the utmost importance.
- The accelerator pedal must have adequate clearance throughout the range of its travel to prevent the possibility of the pedal coming in contact with any item that may cause it not to return to the "idle" position upon release. The accelerator pedal must also be mounted far enough away from the brake pedal as to allow for the vehicle's brakes to be fully applied without the operator's foot coming in contact with the DBW pedal.
- The drive-by-wire pedal should be in a position such that it is lower than the brake pedal when the brake pedal is depressed.
- Installation of the wiring harness supplied by Holley must be done so that there is no chance the wiring may be cut or abraded. Rubber grommets should be utilized wherever the harness passes thru a firewall / sheet metal panel.
- The DBW harness should never be routed in such a manner that it may come in contact with "noisy" electrical components or wiring that may emit RFI and/or EMI noise. Typical "noisy" components and associated wiring in a vehicle would be spark plug wires, ignition coils, high energy ignition boxes, two-way radios (including CB's), etc. Maintain a minimum of 5" of clearance to any of these types of components.

The harness is designed to be "plug-and-play" with the throttle bodies and pedal assembly indicated above. It should not be used for any other applications.

4.0 SYSTEM SAFETIES

Holley designed the drive-by-wire system to utilize a brake pedal switch input. This is wired to a +12V input from the brake pedal switch. If the brake pedal is depressed enough to activate the brake light switch, the following occurs:

- The ECU will not allow a pedal position over 10%, no matter how far the pedal is pushed. This consequently limits the opening of the throttle body.

Before a pedal value over 10% will be recognized, the following must occur in this order:

- Brake pedal switch must be released
 - Pedal position must go below 10%
- Fuel flow is limited to 30 lb./hr. as an additional safety.

IMPORTANT! INSTALLATION OF THIS SAFETY CIRCUIT IS REQUIRED WHEN USING THE DRIVE-BY-WIRE FEATURE!
DEFEATING OR NEGLECTING TO INSTALL THIS INPUT IS DONE SO AT THE USER'S OWN RISK. THE USER ASSUMES ANY AND ALL LIABILITY FOR ANY DAMAGE, AS A RESULT OF A DRIVE-BY-WIRE MALFUNCTION.

Most drive-by-wire systems are designed so there are redundant position sensors on both the throttle body and the accelerator pedal assembly. This is done as a failsafe in the event that one of the position sensors should fail. Holley EFI systems require that both sets of sensors are functioning 100% properly. If any sensor moves from its calibrated position, the throttle body is immediately de-powered, forcing it to move to the factory "limp home" position. The "limp home" position is described in detail below. Whenever a fault is detected and the throttle body is de-powered, a fuel flow limit of 30 lb./hr. is also imposed.

5.0 THROTTLE BODY “LIMP HOME” POSITION

Factory Drive-By-Wire Throttle Bodies have a “Limp Home” position. This is the position that the throttle body is at when no power is applied. It is typically enough air flow to allow a car to move.

It should be noted that this position allows MORE airflow than the engine uses for an idle position. If the throttle body goes into a “limp home” position due to a sensor failure or other reason, the engine will have more air and result in more power. This will require more brake pressure to be applied if a vehicle is in gear so that it does not move.

If this happens, that means something went wrong and you need to find out why. Do not ignore this. Contact Holley Technical Support (866-464-6553), if necessary.

6.0 SOFTWARE SETUP

Drive-by-wire software MUST be installed correctly before attempting to start the engine. The Drive-By-Wire Individual Configuration File (ICF) must be installed. The installer/tuner/operator should review the Software Operation sections in the tuning manual to familiarize themselves with the required Holley software installation procedure.

Once the drive-by-wire ICF is added, first select the “Throttle Body Type” in the Throttle Body Setup. ONLY use throttle bodies that are in this dropdown. They are listed by the OEM part numbers. These throttle bodies have been calibrated by Holley to function properly. Using a throttle body that is not listed may result in improper operation! Do NOT use the “Restricted Use” selection in the “Throttle Body Type” unless authorized and instructed by Holley Personnel.

Also, a “Drive-By-Wire” IAC type must be selected. Go to the Idle ICF and select “Idle Settings” and “Idle Parameters”. Under “IAC Control” and “IAC Type”, select “Drive-By-Wire”.

6.1 Tuning the Pedal vs. Throttle Curve

Take care when adjusting the “Pedal vs. Throttle” curve. It would be wise to change this curve with the system OFFLINE and not while the engine is running and online. However, since you can make adjustments online it is extremely important that you pay close attention and are not distracted when making changes to it. The shape of this curve should result in smoothly increasing throttle position with increasing pedal position and go fully open only at high pedal positions. If you do not fully understand this curve, do not attempt to change it. Locate a knowledgeable installer/tuner or contact Holley Performance Technical Service for assistance.

Be aware that for the sake of safety, the first cell in this table is limited to a value of 20%, the second cell 30%, and the fourth cell 40%. All other cells allow for the throttle body to be commanded up to 100% throttle body opening.

7.0 CHECKS TO PERFORM AFTER INSTALLATION AND BEFORE STARTING

Before starting an engine with Holley EFI equipped with drive-by-wire, make sure the Global Folder is set up properly based on the “Software Setup” above. The drive-by-wire is initialized when the ignition is turned on. If you send a Global Folder with a drive-by-wire ICF added to it for the first time, you must CYCLE THE IGNITION POWER FROM ON TO OFF AND THEN BACK ON to properly initialize the changes.

BEFORE attempting to start the engine, perform the following checks:

- 1) PERFORM A TPS AUTOSET. Make sure the “Calibration Successful” message appears when you are done. This will calibrate the throttle pedal as well as cycle the throttle body(s) to calibrate them as well. You MUST perform this procedure before starting the engine. If you do not understand how to do this, go back and read the basic installation manuals!
- 2) With the ignition in the “on/run” position (DO NOT START ENGINE - ignition power on - engine off) slowly depress the accelerator pedal and have an assistant watch the throttle body plate. The throttle plate should move from closed to fully open as the pedal is depressed. Make sure the throttle plate returns to the “idle” position when the accelerator pedal is no longer depressed.

NOTE: If a TPS Autaset is not performed, no fuel will be injected. The car will NOT start.

IMPORTANT! IF THE THROTTLE PLATE DOES NOT FUNCTION IN THE MANNER INDICATED ABOVE, FIND OUT WHY BEFORE YOU START THE ENGINE. Contact Holley Technical Support (270-781-9741), if necessary.

8.0 DRIVE-BY-WIRE DO'S AND DON'TS

DO

- Use only the Holley supplied harness.
- Have the pedal, throttle body, and harness installed by a competent professional.

DON'T

- Do not use wire other than the Holley supplied harness.
- Do not cut, shorten, lengthen, or otherwise modify the drive-by-wire harness for any reason!
- Do not run drive-by-wire harness past high voltage or "noisy" sources
- Do not use this system if the pedal is not securely mounted as described in the instructions above. It must be SOLIDLY mounted with adequate room for safe and proper operation.
- Do not use this system if the throttle body is not properly mounted or have any potential of interference/binding of the throttle plates.
- Do not start the engine unless everything is operating properly.

Holley Technical Support
1801 Russellville Road
Bowling Green, KY 42101
1-866-464-6553
www.holley.com

© 2023 Holley Performance Products, Inc. All rights reserved. Tous Droits Réservés.

199R12525

Date: 12-18-23