



18676, 18677, 18682 & 18683 INSTALLATION INSTRUCTIONS

WARNING!

The fuel system is under pressure. Do not open the fuel system until the pressure has been relieved. Refer to the appropriate vehicle service manual for the procedure and precautions for relieving the fuel system pressure.

This pump assembly is a high performance factory replacement unit. Key features:

- Drops directly into the factory fuel tank (NO CUTTING REQUIRED).
- Utilizes the factory jet siphon system so it operates just like Ford intended.
- High flow pre-filter built into inlet of pump.
- Includes fuel level mounting bracket for factory leveling unit, Ford / Motorcraft P/N 7R3Z-9A299-C.

NOTE: The use of Teflon braided line with machine crimped hose ends is recommended. This eliminates the possibility of fuel vapors permeating through the fuel line. The use of a 16306 speed pump controller is also highly recommended, this will keep the fuel cool and reduce noise inside the passenger compartment.

CAUTION:

Installation of this product requires detailed knowledge of automotive systems and repair procedures. We recommend that this installation be carried out by a qualified automotive technician.

Installation of this product requires handling of gasoline. Ensure you are working in a well ventilated area with an approved fire extinguisher nearby. Extinguish all open flames, prohibit smoking and eliminate all sources of ignition in the area of the vehicle before proceeding with the installation.

Maximum continuous operating pressure should not exceed 70 psi.

The enclosed Aeromotive fuel pump utilizes AN-08 ORB (O-ring Boss Ports) style outlet port and AN-08 return port; these ports are **NOT PIPE THREAD** and utilize **NO THREAD SEALANT**.

NOTICE TO INSTALLER:

Installation of this fuel pump requires fuel system conversion to a return style fuel system (use of a bypass style regulator). Also note that a check engine light may be present after installation due to the factory returnless system being modified. This can be turned off with tuning software. Not for use on California vehicles. Compatible, replacement Ford Fuel Level Sending Unit is available under P/N 7R3Z-9A233-C if required.

Compatible Fuels:

Pump/Race Gas, E85, Alcohol/Ethanol

Aeromotive Related Mod Motor Components:

Fuel Filters:

12301 (pump/race gas) 10 micron
12335 (race gas/E85) 40 micron
12305 (filter bracket)

Fuel Pressure Regulators:

13101 (10AN ports)
13109 (6AN ports)

Electrical Components:

16301 (pump wiring kit)
16306 (pump speed controller)

Check Valves:

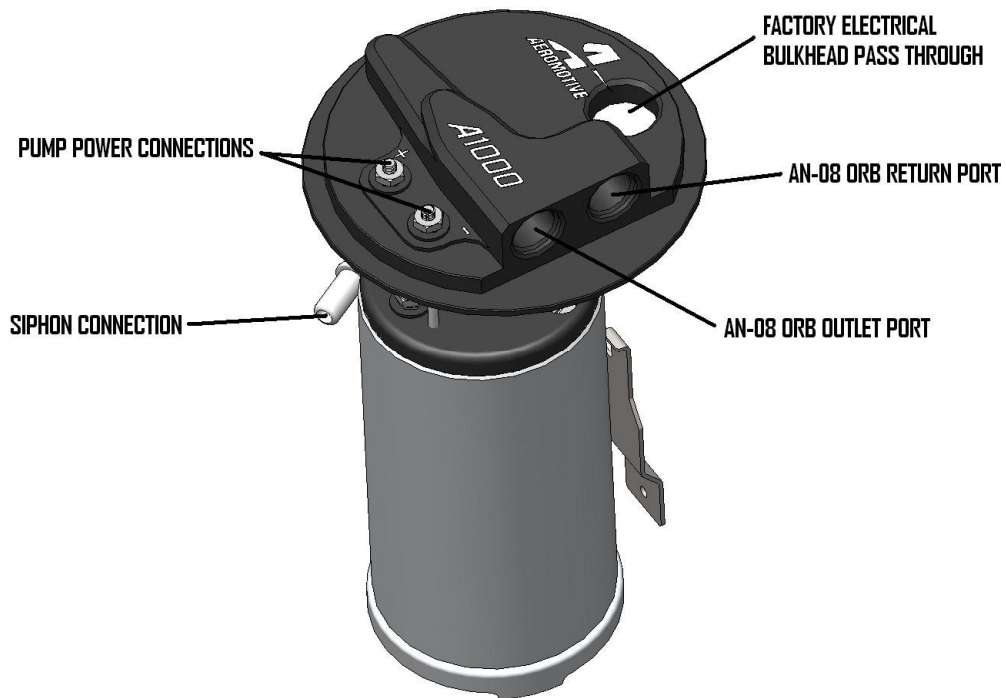
15106 (6AN)
15107 (10AN)

Fuel Pressure Gauge:

15633 (dry 0-100psi)

Fuel Rails:

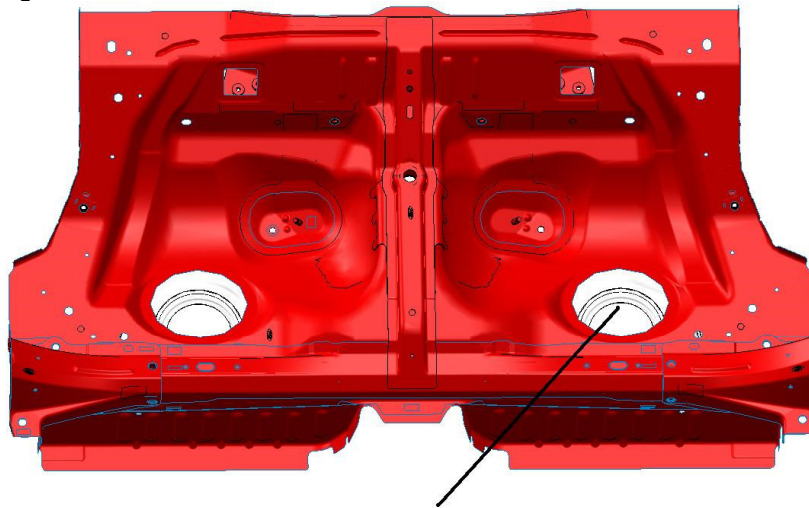
14144 (GT500, 4V)
14116 (GT, 3 valve)



TOP PLATE LAYOUT

The following steps are typical of most installations:

1. Drain the fuel tank and disconnect the negative battery cable.
2. Raise and support the vehicle.
3. Remove the back seat from vehicle. Do this by pressing forward on the two retention clips underneath the seat cushion with a small screwdriver. You can carefully find them at the edge of the cushion when looking at eye level. When depressed far enough, the seat can be raised and removed easily.
4. Remove black dust plug from driver's side. **FIGURE 1-1**



REMOVE BLACK DUST PLUG FROM DRIVERS SIDE FLOOR PAN. DUST PLUG WILL HAVE A WIRING HARNESS PASSING THROUGH IT.

FIGURE 1-1

5. Disconnect all electrical connection on the fuel pump top plate and move out of the way.
6. Before removing the factory feed line, relieve system pressure (refer to service manual for proper procedure). Once system pressure has been relieved, disconnect the feed line from top plate.
7. Remove lock ring from top of tank (pump is spring loaded and will pop up when ring is removed).
8. Slowly pull the fuel pump unit up until you see the quick disconnect fitting and tube. Press the tab and pull the line to remove. Pay close attention not to bend the float level arm as you remove the hanger assembly. **Figure 1-2.**

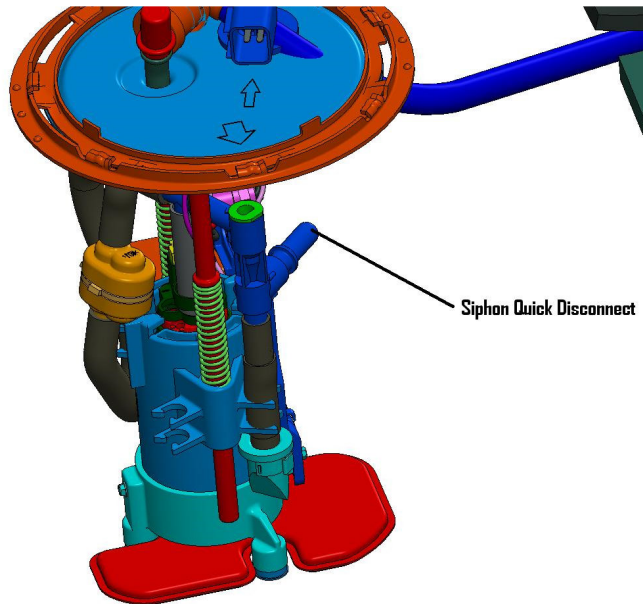


FIGURE 1-2

9. Once the unit is removed, cover the opening in tank so dirt and debris will not enter the tank.
10. Only two parts will be used off the hanger assembly, the electrical connection and fuel level sensor. Remove the electrical connection as pictured in **FIGURE 1-3.**

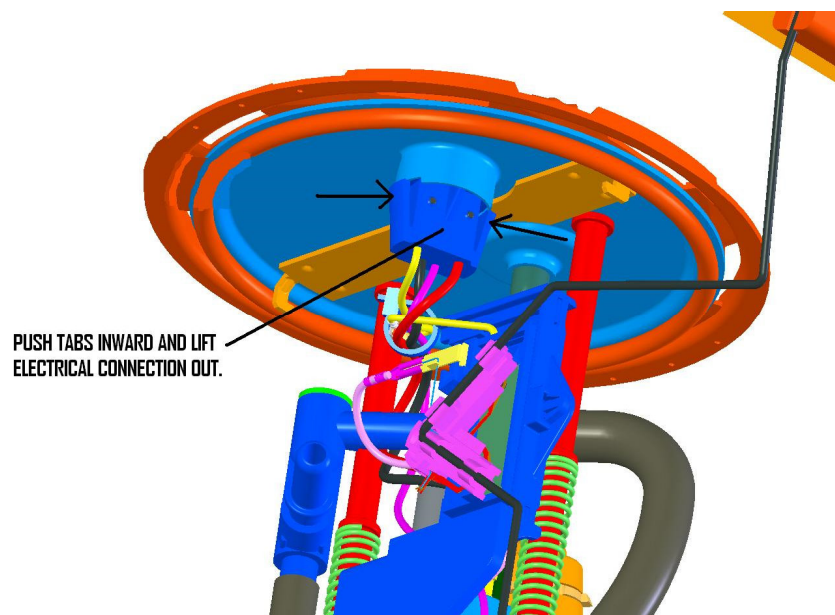


FIGURE 1-3

11. Now remove the fuel level sensor and install on the Aeromotive fuel level sensor bracket. Cut the factory ground terminal off and crimp on the larger ring terminal. This will allow the larger self tapping screw to fit and make a good ground **FIGURE 1-4**.

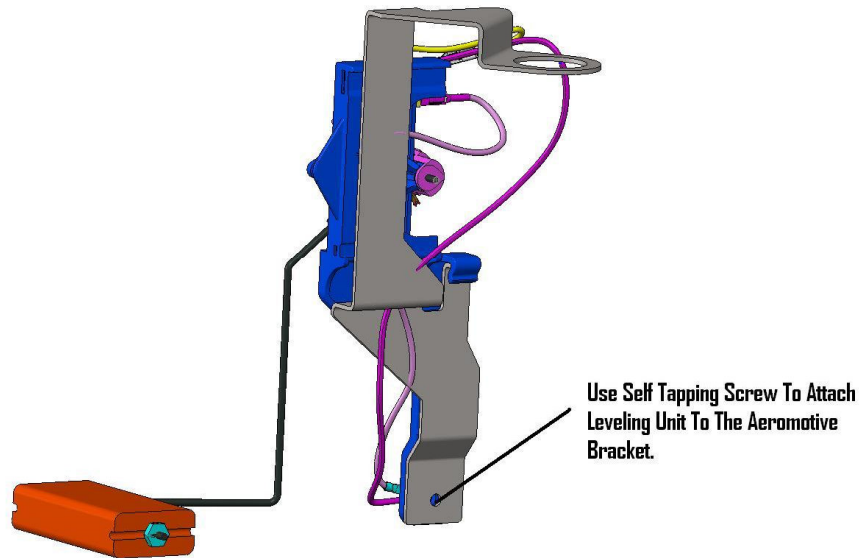


FIGURE 1-4

12. Now it's time to assemble your Aeromotive Stealth fuel pump! Use the figure below to assemble your fuel pump. **FIGURE 1-5**.

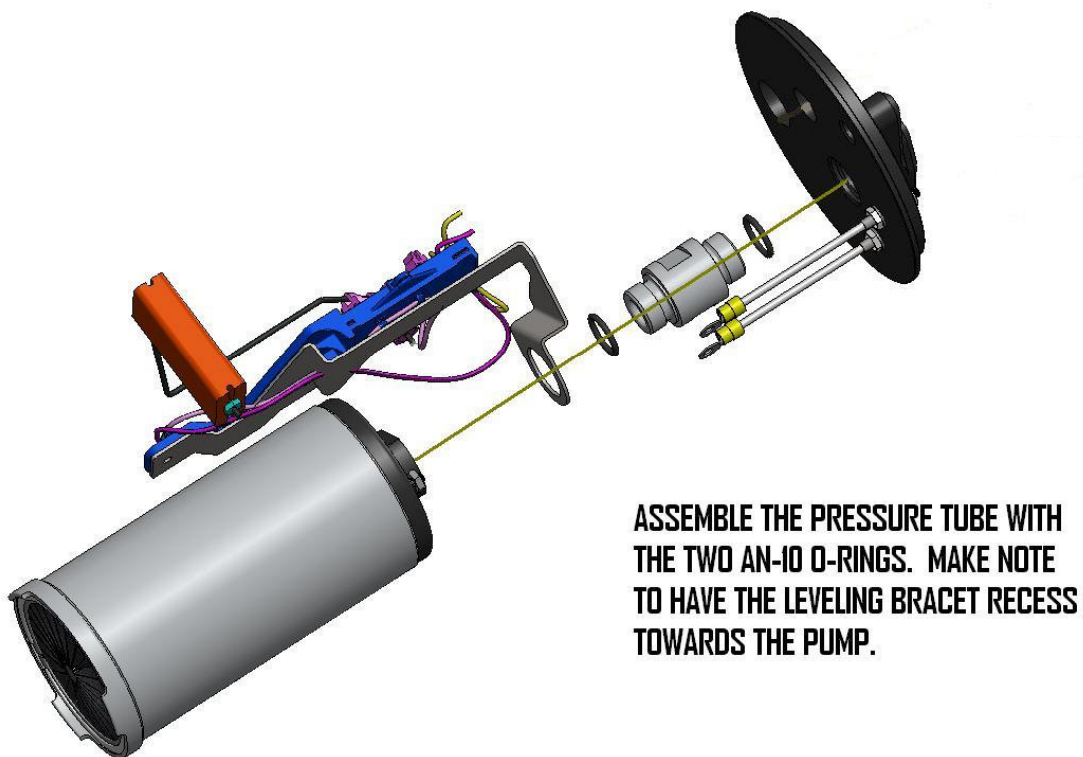


FIGURE 1-5

13. When assembling the unit index the leveling unit with the top plate illustrated below in **FIGURE 1-6**.

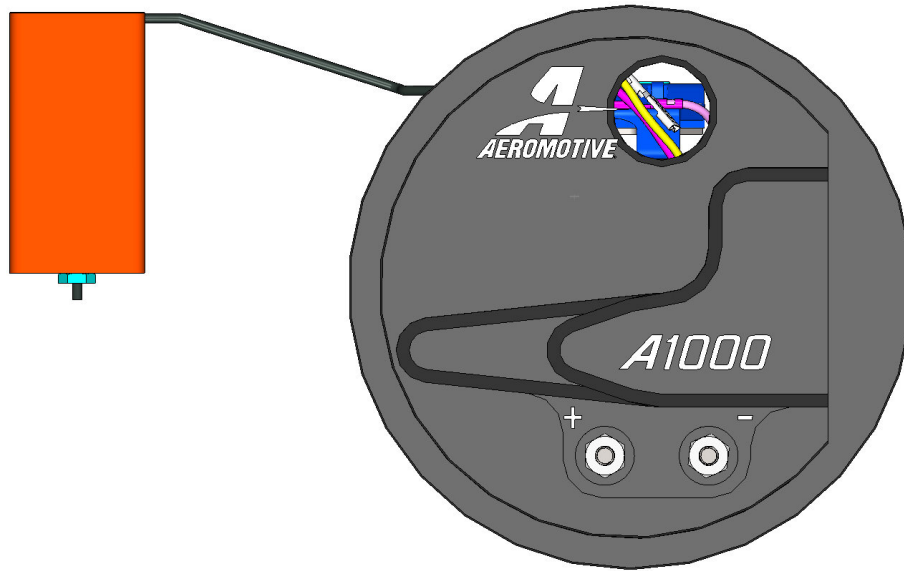


FIGURE 1-6

12. Re-install the factory electrical bulkhead in the Aeromotive top plate and re-attach the fuel level sensor connector. Connect the positive and negative pump wires from the Aeromotive top plate to the matching terminals on the top of the fuel pump. When finished it will look like **FIGURE 1-7**.

COMPLETED PUMP ASSEMBLY

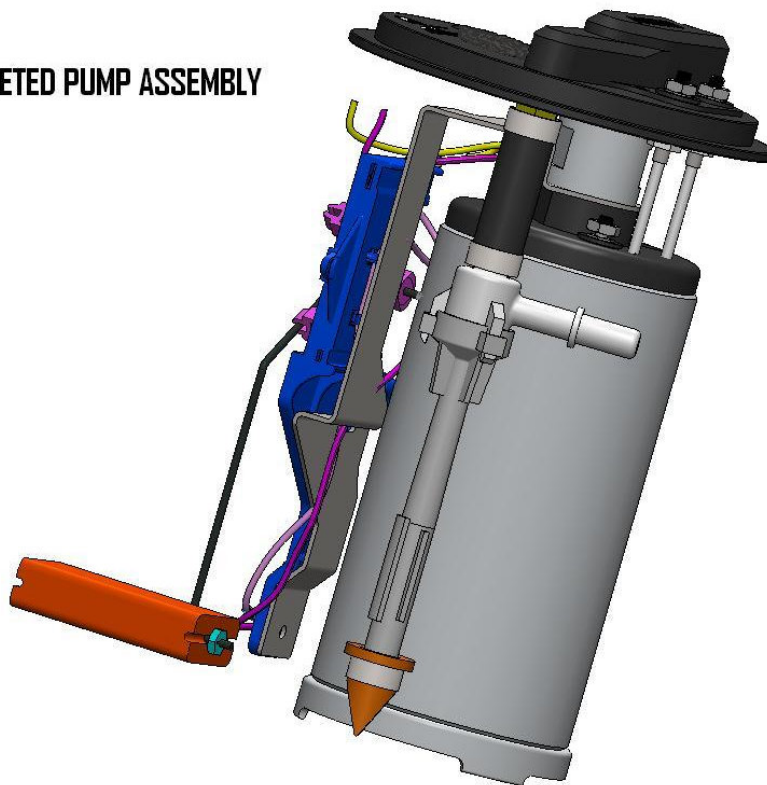


FIGURE 1-7

13. Before placing your new Aeromotive Stealth fuel pump in your tank, make sure the factory pump seal is clean and positioned correctly. Also unclip the siphon tube from the inside wall of the tank. This will give you the extra length of line to ease installation. **FIGURE 1-8**

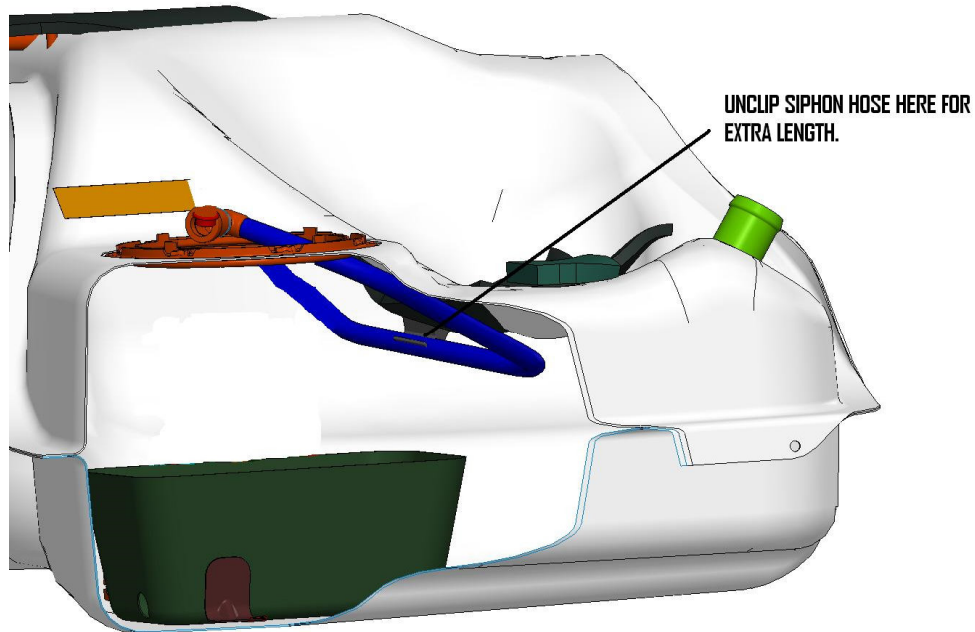


FIGURE 1-8

14. Pull the jet siphon tube up out of the tank and hold to one side as you lower the pump into the tank. It will be a tight fit, just take your time. You may have to rotate the quick disconnect on the siphon tube to get it to line up with the Aeromotive Stealth pump. **NOTE: Float arm and siphon return need to go on outside of the factory baffle.** **FIGURE 1-9** The outlet port will face the driver side when installed. Also note that the siphon tube needs to be routed around the pump as to not interfere with the float level sensor. **FIGURE 1-10**

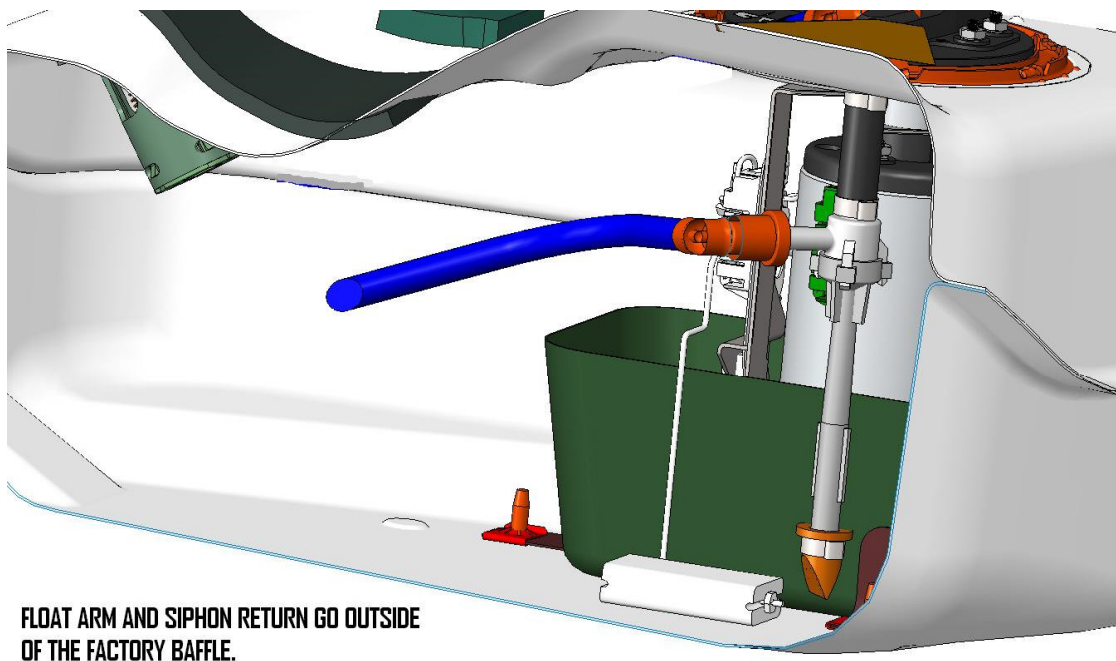


FIGURE 1-9

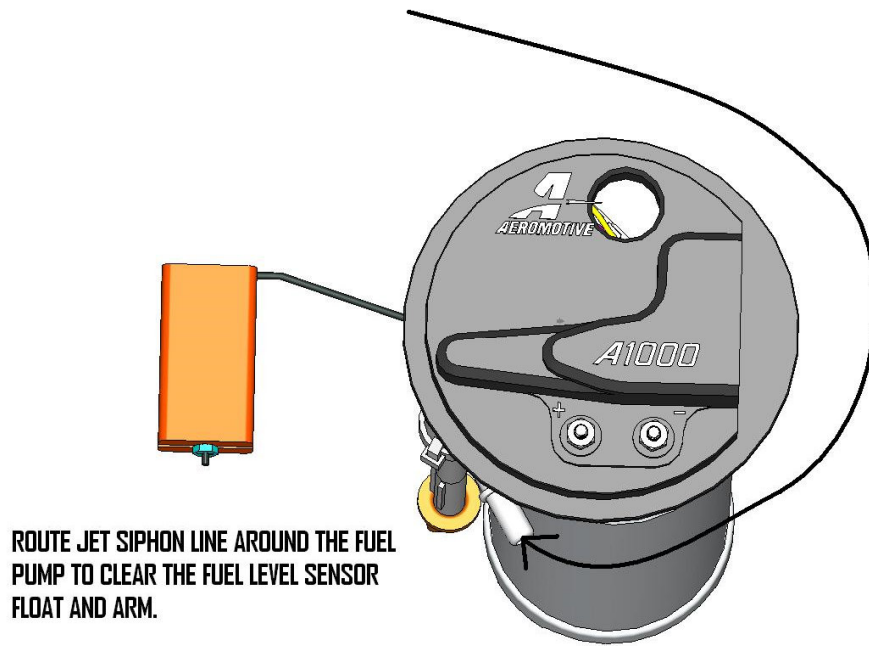


FIGURE 1-10

15. Position the pump as shown below and install the factory lock ring. **FIGURE 1-11**

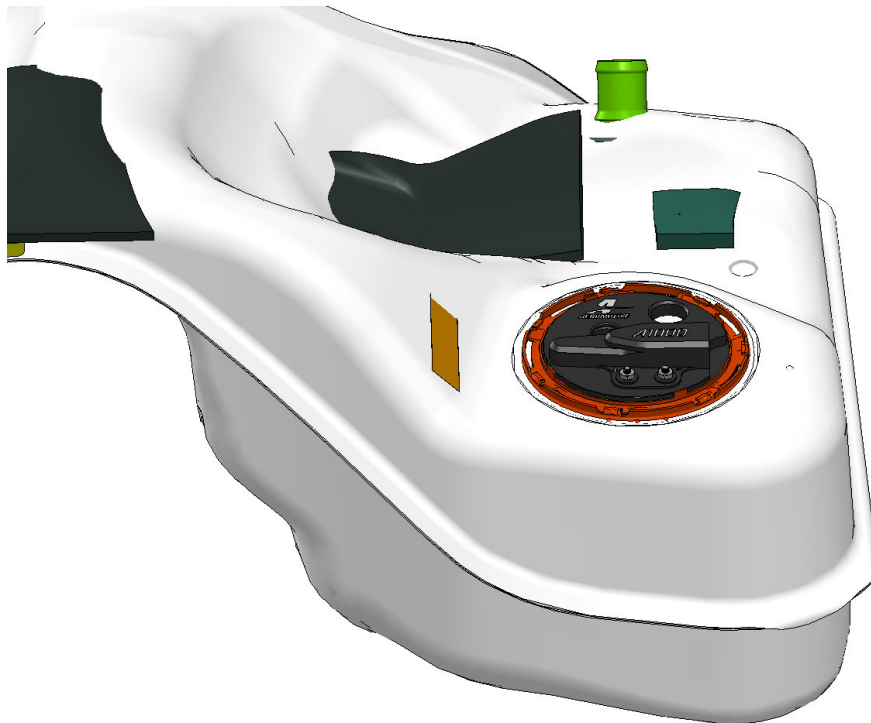


FIGURE 1-11

18. Re-connect the factory electrical connector to the factory bulkhead. **NOTE: You must install a by-pass style regulator (Aeromotive part # 13101 or 13109) with return line in order for the fuel pump to function correctly. Failure to do so will result in poor performance and fuel pump/system failure.**
19. Feed and return lines need to be plumbed into the vehicle now. It's recommended to run AN-08 feed and return line.

20. The Aeromotive fuel pump needs its own relay and 12V power wire. The use of Aeromotive fuel pump wiring kit (part # 16301) is recommended. Since the factory Ford fuel pump is pulse modulated you can not use the factory fuel pump wires to trigger the relay. Find a suitable 12V key on ignition source for the #85 connection on the relay.

FIGURE 1-12

Hooking the factory wiring directly up the Aeromotive unit could result in wiring damage or pump failure.

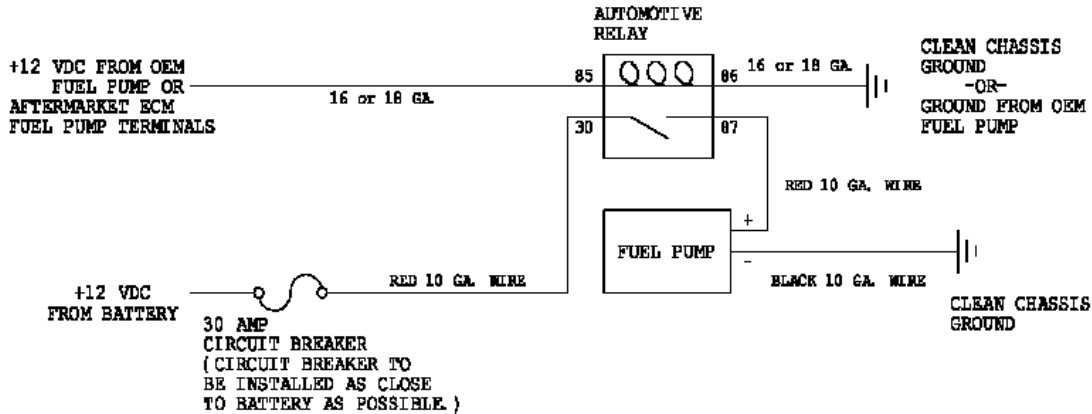


FIGURE 1-12

23. Route the fuel lines under the vehicle noting to keep it away from heat and moving suspension components.
24. Find a suitable place in the engine bay to mount a return style regulator. Plumb the regulator per the manufactures installation instructions.
25. Key on to check for leaks and to set fuel pressure. If any leaks are found, immediately discontinue use of vehicle and repair the leak(s)! This finishes up the installation of your new Aeromotive Stealth fuel pump.



WARNING: This product can expose you to chemicals, including chromium, which is known to the State of California to cause cancer or birth defects or other reproductive harm. For more information, visit: www.p65Warnings.ca.gov

AEROMOTIVE, INC. LIMITED WARRANTY

This Aeromotive Product, with proof of purchase dated on or after January 1, 2003, is warranted to be free from defects in materials and workmanship for a period of one year from the original date of purchase. No warranty claim will be valid without authentic, dated proof of purchase.

This warranty is to the original retail purchaser and none other and is available directly from Aeromotive and not through any point of distribution or purchase.

If a defect is suspected, the retail purchaser must contact Aeromotive directly to discuss the problem, possible solutions and obtain a Return Goods Authorization (RGA), if deemed necessary by the company. Please call 913-647-7300 and dial option 3 for the technical service dept. All returns must be shipped freight pre-paid to the company and with valid RGA before they will be processed.

Aeromotive will examine any product returned with the proper authorization to determine if the failure resulted from a defect or from abuse, improper installation, misapplication or alteration. Aeromotive will then, at it's sole discretion, return, repair or replace the product.

If any Aeromotive product is determined defective, buyer's exclusive remedy is limited in value to the sale price of the good. In no event shall Aeromotive be liable for incidental or consequential damages.

Aeromotive expressly retains the right to make changes and improvements in any product it manufactures and sells at any time. These changes and improvements may be made without notice at any time and without any obligation to change the catalogs or printed materials.

Aeromotive expressly retains the right to discontinue at any time and without notice any Aeromotive product that it manufactures or sells.

This warranty is limited and expressly limits any implied warranty to one year from the date of the original retail purchase on all Aeromotive products.

No person, party or corporate entity other than Aeromotive shall have the right to: determine whether or not this Limited Warranty is applicable to any Aeromotive product, authorize any action whatsoever under the terms and conditions of this Limited Warranty, assume any obligation or liability of any nature whatsoever on behalf of Aeromotive under the terms and conditions of this Limited Warranty.

This Limited Warranty covers only the product itself and not the cost of installation or removal.

This Limited Warranty is in lieu of and expressly excludes any and all other warranties, expressed or implied. This Limited Warranty gives you specific legal rights, and you may also have other rights which vary from state to state.