



AEROMOTIVE

Part # 18311

Triple Phantom Fuel Pump / Baffle System

For Tank Depths 6"-11"

INSTALLATION INSTRUCTIONS

Patent 8,783,287

WARNING!



Always be aware of flammable situations. Drilling and grinding can be potential ignition sources. Extinguish all open flames, prohibit smoking and eliminate all sources of ignition in the area of the vehicle and workspace before proceeding with the installation. Ensure you are working in a well-ventilated area with an approved fire extinguisher nearby.

WARNING!



Installation of this product requires modification to a fuel tank, failure to satisfy all safety considerations will result in fire, explosion, injury and/or loss of life to yourself and/or others.

WARNING!



Mechanical and hydraulic lifting devices can tip over or lower accidentally due to incorrect maneuvering or technical errors. A falling object can cause injury and/or loss of life to yourself and/or others. When working under the vehicle always use stands and ensure that the ground or floor is stable and level. Never crawl under a vehicle which is only supported by a jack.

WARNING!



The fuel system is under pressure. Do not open the fuel system until the pressure has been relieved. Refer to the appropriate vehicle service manual for the procedure and precautions for relieving the fuel system pressure.

CAUTION!



When installing this product always wear safety glasses and other appropriate safety apparel. A drilling operation will cause flying metal chips. Flying metal chips can cause eye injury.

CAUTION:



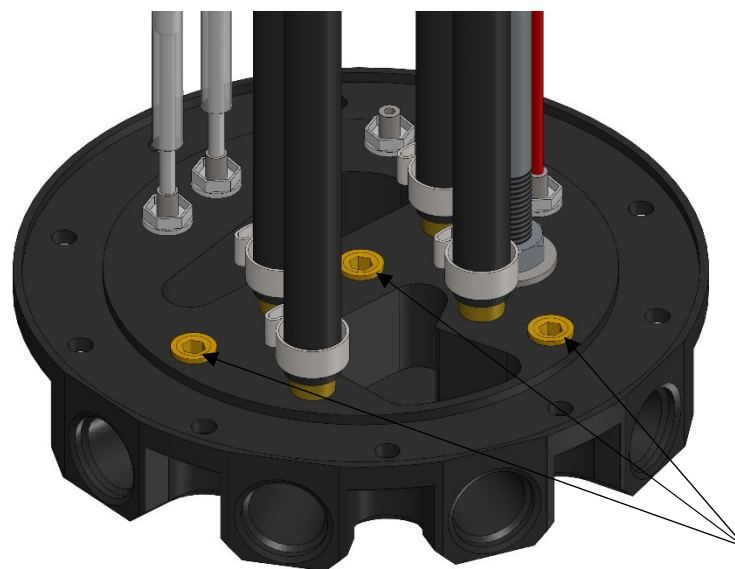
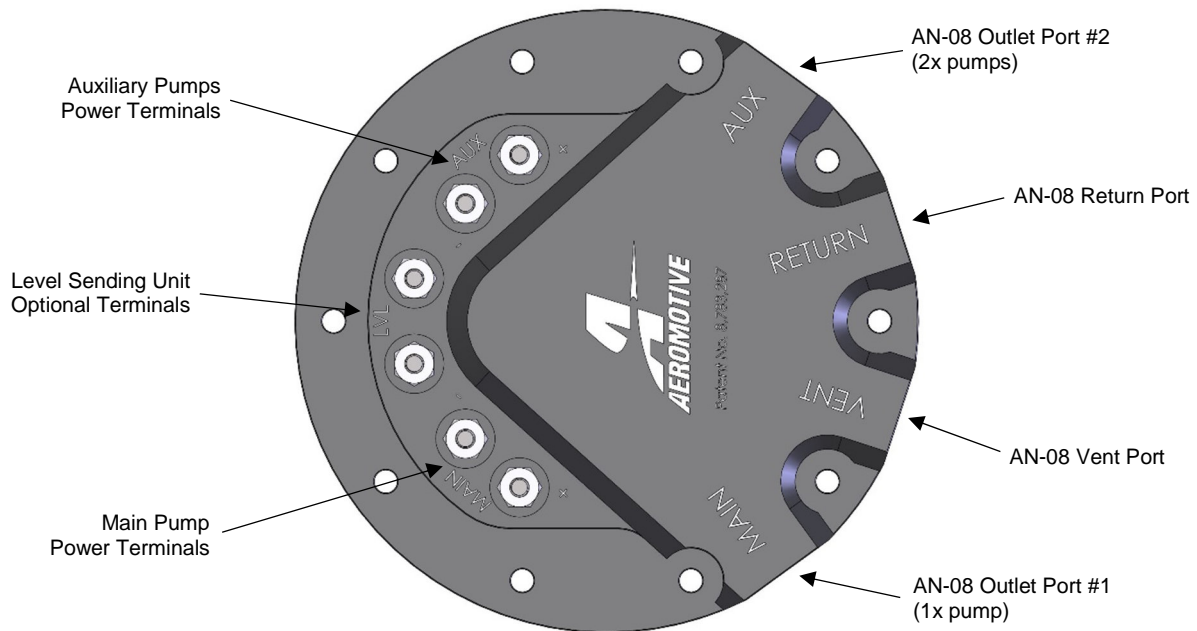
Installation of this product requires detailed knowledge of automotive systems and repair procedures. We recommend that this installation be carried out by a qualified automotive technician. Careless installation of this product can result in damage to the product, injury or loss of life to yourself and/or others.

Parts Included:

3ea Fuel Pump	6ea Ring Terminal
3ea Fuel Pump Strainer	6ea Ring Terminal Cap
1ea Fuel pump Separator	4ea Hose Clamp
1ea Fuel Pump Hanger Assembly	1ea Pump Clamp
1ea Fuel Pump Foam Baffle Assembly	10ea 10-24 Nylon Locking Stainless Steel Nut
1ea Gasket, 1/2" Thick	10ea #10 Nylon Washer
1ea Retainer C-Ring with studs	30in 1" Wide x 1/2" thick Foam Spacer
1ea #2 Drill (.221 dia.)	1ea Barbed Tee

Tools Needed:

4-1/2" Metal Cutting Hole Saw	Tape Measure
Drill	Bread Knife or
Straight Slot (flat-blade) Screwdriver	Hacksaw blade
3/8" Socket and Ratchet	7/32" Center locating punch (recommended)



If using a returnless system where the ECU controls fuel pressure, drill a 1/32" diameter hole through the center of each of the three 1/8 NPT plugs

The enclosed Aeromotive fuel pump assembly utilizes an o-ring sealed AN-08 style feed, return and vent ports. These ports seal with o-rings; these ports are **NOT PIPE THREAD** and utilize **NO THREAD SEALANT**.

The fuel pumps used in this system are the Aeromotive Stealth 450 (part # 11545). To ensure proper pump function and life, we strongly recommend the following:

- Utilize AN-08 (EFI) size high pressure fuel lines, fittings and o-rings for all connections from the fuel tank to the engine, including the supply and return lines.
- Install a 10 micron post-filter (Aeromotive p/n 12321 or 12377 for individual outlets or 12311 for all three pumps)
- Install a remote-mount rollover valve. It must be mounted in a vertical position and mounted as high or higher than your filler tube.
- Fuel pump wiring should be 8 gauge wire and triggered with a relay rated for a minimum of 40 amps for the “Auxiliary” (2x pumps) control, 10 gauge wire and 20 amps minimum for the “Main” (1x pump) control.
- A return style or bypass regulator must be used (Aeromotive p/n 13305 or 13134 for EFI) with the exception of applications running an ECU that supports a returnless systems where the ECU controls fuel pressure via PWM.
- This product is intended for use with an EFI system. Use in a carbureted application may require use of a secondary return line in order to keep return line pressure within carburetor operating limits.

Failure to follow the above recommendations may result in fuel leakage, bursting of the fuel lines, poor vehicle performance and/or decreased fuel pump life! Improper installation will void all warranties for this product!

Pump Specifications:

	18311 Kit, (Pump 3x 11545)
Outlet pressure/typical flow:	40 psi / 3x 430 LPH @ 13.5 V 60 psi / 3x 381 LPH @ 13.5 V
Continuous Operating Range:	5 psi – 65 psi @ 13.5 V
Pump internal By-Pass Pressure:	120 psi
Current Draw:	3x 15.3 amps @ 40 psi

Aeromotive Commonly Used Fittings

15607 AN-08 ORB to AN-08 Flare (Inlet/outlet/vent fitting)	For AN-08 fuel lines
15641 AN-08 ORB to AN-10 Flare (Inlet/outlet/vent fitting)	For AN-10 fuel lines
15610 AN-10 ORB to AN-08 Flare (fuel filter fitting)	For AN-08 fuel lines
15608 AN-10 ORB to AN-10 Flare (fuel filter fitting)	For AN-10 fuel lines

Aeromotive AN-10 Fuel Filter P/N's

12301 Red 10-micron Fuel Filter	12377 Black 10-micron Fuel Filter, Male Ends
12321 Black 10-micron Fuel Filter	12311 Black Hardcoat 10-Micron Fuel Filter
12351 Chrome 10-micron Fuel Filter	

Aeromotive system components are not legal for sale or use on emission controlled motor vehicles.

CAUTION:



Aeromotive Phantom Components, including the Phantom 450 Stealth Pump and the patented Foam and Bladder Baffle assembly, have been thoroughly tested for use in common pump gas, non-oxygenated racing gas, ethanol including E85 from corn, and petroleum based (not-bio) diesel fuel. Blending fuels and/or additives, including cleaners, stabilizers or octane boosters, cannot be tested and could result in damage to Phantom system components or other components in the fuel system. These failures cannot be anticipated and may not be covered under warranty. Contact the Aeromotive Tech Department with any questions on blending of fuels and/or use of additives.

The following steps are typical of most installations:

1. Once the engine has been allowed to cool, disconnect the negative battery cable and relieve the fuel system pressure, referring to the appropriate vehicle service manual for the procedure and precautions for doing so.
2. Raise the vehicle on stable level ground and support it with jack stands.
3. Referring to the appropriate vehicle service manual for instructions, drain, disconnect any electrical and fuel system component connections and remove the OEM fuel tank. The removal of the vehicles exhaust system may be necessary for fuel tank removal.



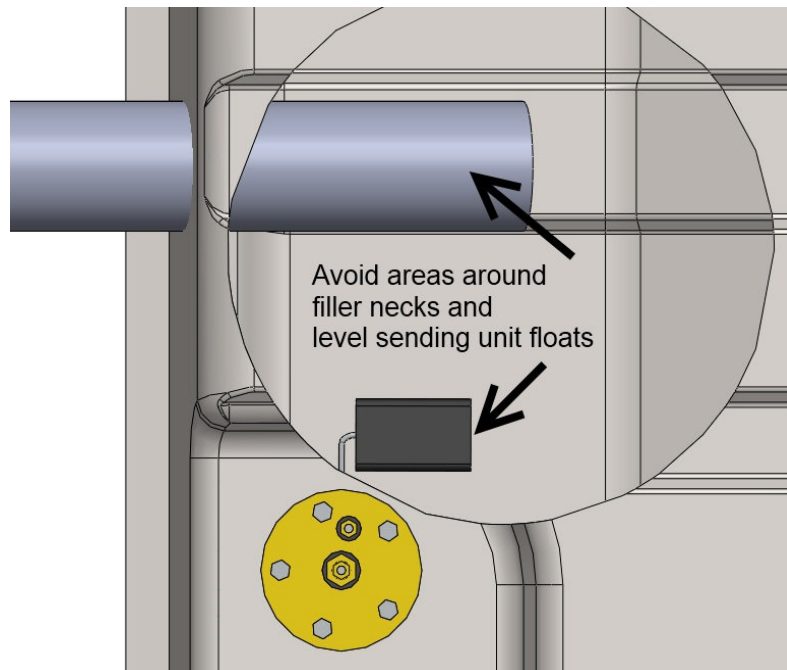
This Aeromotive Phantom Fuel Pump System is intended to be installed into a NEW fuel tank that does NOT, and has NEVER contained fuel. If you choose to install this product into a fuel tank that has had fuel introduced to it, proceed at your own risk.



The fuel tank must be professionally cleaned to remove all traces of any combustible fluids. Failure to properly clean and remove all combustible fluids from the fuel tank will result in injury or loss of life to yourself and/or others.

4. With the new cleaned fuel tank on your preferred work surface, start to determine the desired pump mounting location on top of the fuel tank by identify mounting areas to avoid. Avoid areas of the tank where fuel level sending unit, float arm or float are present. Also, avoid areas where the fuel filler neck may protrude inside the fuel tank.

Never mount the fuel pump on the side or bottom of the fuel tank.

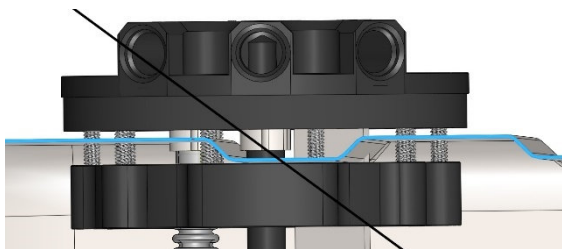


5. Secondly, locate and avoid areas of the top of the fuel tank that might contact the bottom of the vehicle frame rails, supports or floor pan.
6. Now that you have identified the areas on the fuel tank to avoid, you can narrow this down further by identifying the orientation of the fuel pump outlet cap how you would like to route the electrical and fuel lines.

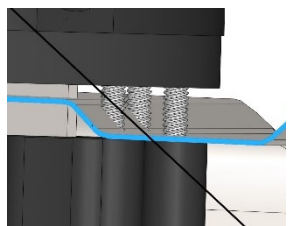
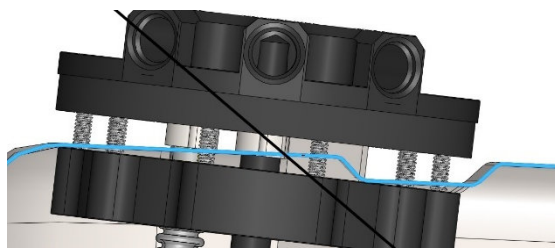
Note: Ensure that you mount the fuel pump at the deepest possible area of the fuel tank.

7. If the top of the tank is corrugated or has ribs on the desired mounting surface, the included gasket will compress and form to the ribs up to 1/4" deep. For extreme cases where the ribs are deeper or oddly shaped the use of a fuel resistant sealant such as, Dow Corning 730 fluorosilicone RTV, or additional fabrication may be necessary. **Do not use silicone gasket maker or sealant as it is not fuel resistant.**

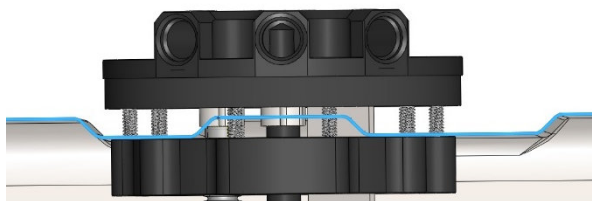
8. Using the fuel pump retainer ring (C-shaped part with 10 threaded studs) as a guide determine the fuel pump mounting location, avoiding the areas previously identified. If the top of the tank is corrugated or has ribs further positioning will be required. Noting the location of the tank ribs position the fuel pump retainer ring such that it will be balanced across the ribs. Note that the fuel pump retainer ring will be on the inside of the fuel tank so position it across the ribs that protrude into the tank. Next rotate the fuel pump retainer ring such that none of the studs fall on the side walls of the ribs. Once you have double check the selected mounting position mark the center.



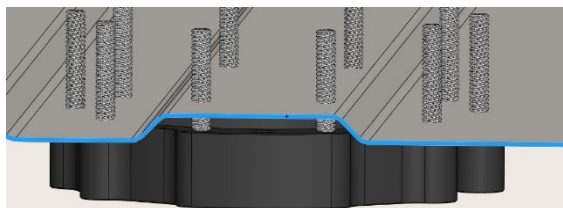
BAD



Avoid having mounting hole through side wall of rib.



OK



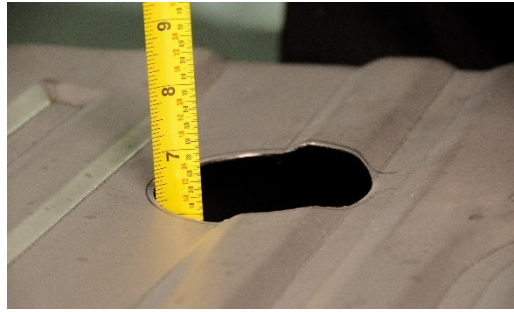
9. With the center of the fuel pump location marked and everything double checked, use metal cutting hole saw to create a 4-1/2" hole in the top of the tank.



10. Remove any burrs that were created during the drilling operations above.

11. Carefully clean any debris from inside the fuel tank. A good shop-vac can be very helpful here.

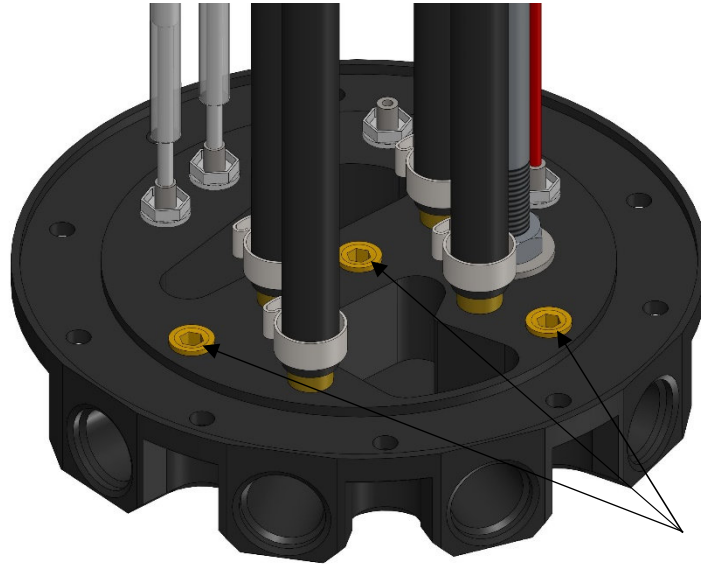
12. Using a tape measure, determine the depth of the tank at the fuel pump location.



13. Measure the foam baffle assembly from the bottom (black rubber part) up and mark the assembly 1" longer than the determined tank depth. (If the tank was 6" deep, mark the foam baffle assembly to be 7" long)
14. Using a bread knife or fine-tooth hacksaw blade, carefully cut the foam baffle to the desired length.

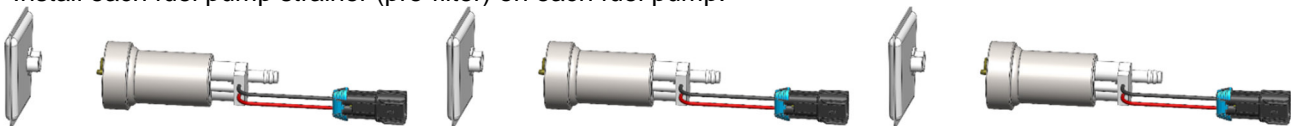


15. **NOTE: COMPLETE THIS STEP ONLY IF YOU PLAN ON USING A RETURNLESS FUEL SYSTEM** where the ECU uses PWM to control fuel pressure. In this case you must drill a 1/32" hole thru the pipe plugs indicated below. If you are planning on using a traditional, return style fuel system please skip this step. If you are unsure what your system requires, please contact your EFI system manufacturer or Aeromotive for assistance.

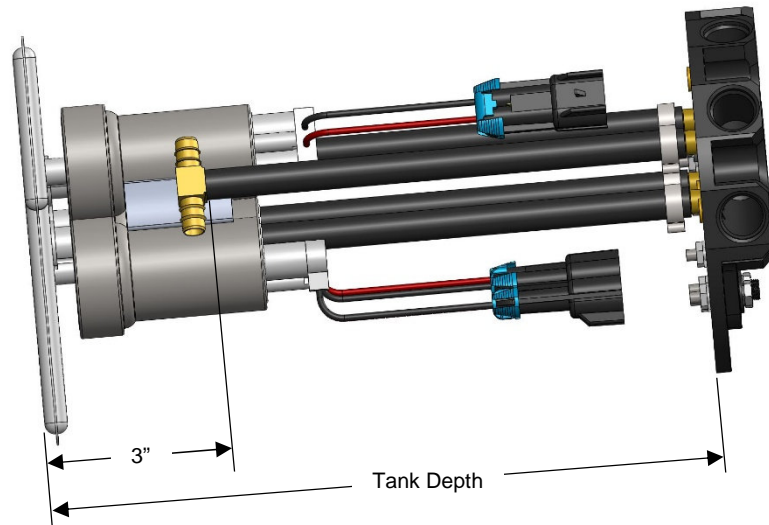


If using a returnless system where the ECU controls fuel pressure, drill a 1/32" diameter hole through the center of each of the three 1/8 NPT plugs

16. Install each fuel pump strainer (pre-filter) on each fuel pump.



Position the fuel pump on the fuel pump hanger assembly such that from the bottom of the outlet cap to the bottom of the fuel pump strainer is equal to the fuel tank depth. Mark the hanger rod and the black outlet hoses so they may be cut to the necessary lengths. Remember, take the time to measure twice and cut once!



Note: Failure to position the fuel pump strainers on the bottom of the basket assembly will potentially starve the pumps for fuel when fuel tank level is low, yielding poor drivability and reduced pump performance.

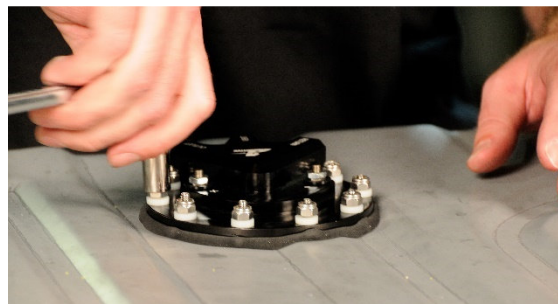
17. Cut the black outlet hoses to the desired length. Cut the Return Hose such that it is approximately 3 inches less than the pump depth to ensure that the Return Outlet Tee is well above the pump inlets (to reduce possible turbulence and air entrainment at low fuel levels) but still below the top of the fuel basket.
18. Using a metal cutting saw cut the hanger rod to the desired length, removing enough at the bottom to ensure that the end of the rod will not interfere with the fuel pump bells.
19. Slide the small hose clamps onto each of the pump outlet hoses. Insert the pump outlets into the black outlet hoses with the pump separator between and near the bottom of the hanger rod. Position the pumps and separator such that each pump outlet hose is nearly straight.
20. Using the larger hose clamp attach the fuel pumps to the fuel pump separator and tighten. Insert the two set screws into the pump separator and tighten to secure the pumps.
21. Tighten each of the small hose clamps on each of the black outlet hoses to attach each of the fuel pumps.
22. Plug each of the three electrical connectors into each of the three fuel pumps and tuck the wires out of the way.
23. Place the now assembled fuel pump and hanger assembly centered into the hole. Now rotate the assembly until the bolt pattern is in the predetermined alignment. If the tank is corrugated or has ribs, rotate or clock the assembly to ensure that none of the holes on the bolt pattern would have to be drilled into the side walls of the ribs.
24. With the pump and hanger assembly correctly clocked in place, mark the bolt pattern (using a 7/32" or closely sized center-locating or transfer punch recommended) and remove the pump and hanger assembly. For reference, the bolt pattern consists of 10x evenly spaced holes on a 5.25 inch diameter bolt circle centered on the 4.50 inch hole.
25. Use the included #2 drill bit to drill the bolt pattern.
26. Again, remove any burrs that were created during the drilling operations above and carefully clean any debris from inside the fuel tank.
27. Install the fuel pump retainer ring into the fuel tank from the inside. The C-shape allows the ring to be inserted through the smaller hole, to the inside of the tank, and the studs pushed up through the holes drilled in steps 24-25.

28. With the foam baffle fully inserted into the bladder/cup, compress the baffle assembly, and insert it into the tank being careful not to cut the assembly or your hands on the tank edge. **A strip of tape around the edge may be helpful.** Once the baffle assembly is in the tank, manipulate it until it's centered within the opening and remove any tape used.
29. Install the provided gasket onto the threaded studs on the fuel pump retaining ring.
30. If the top of the tank is corrugated or has ribs on the desired mounting surface, the included gasket will compress and form to the ribs up to 1/4" deep. In extreme cases where the ribs are deeper than 1/4", or oddly shaped, the use of a fuel resistant sealant such as, Dow Corning 730 fluorosilicone RTV, or additional fabrication may be necessary. **Do not use silicone gasket maker or sealant as it is not fuel resistant.**
31. Ease the pump and hanger assembly into the baffle assembly inside the fuel tank. Rotate the billet fuel pump hanger assembly to orient the fuel line and vent connections in the desired orientation and drop the hanger onto the retaining ring studs.

Caution: Take special care to ensure that the fuel pump wires are fully inside of the tank and will not be pinched in between the pump assembly and the fuel tank during assembly.



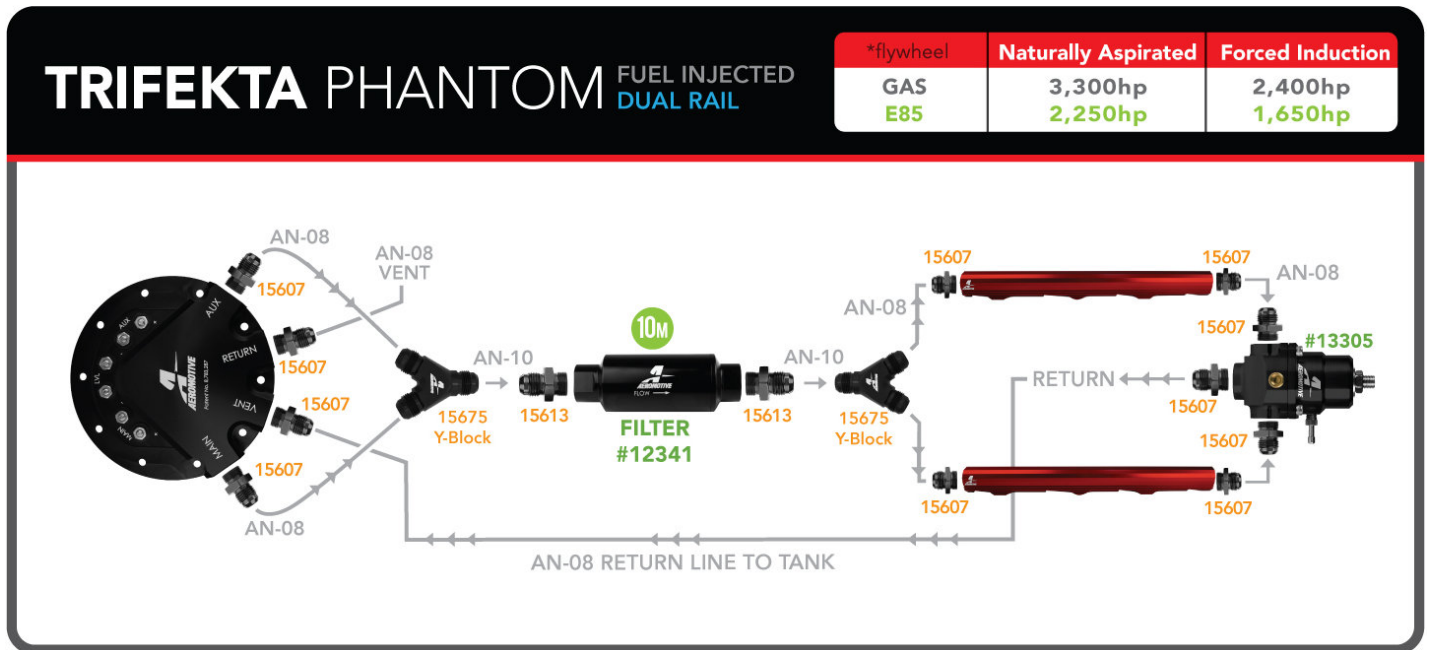
32. Press down firmly on the top of the pump assembly to compress the gasket. Start two of the 10-24 lock nuts on a pair of studs 180-degree apart. Tighten these two nuts until the remaining studs are approximately 1/4" exposed.
33. With the remaining 8 studs exposed approximately 1/4", place one of the #10 white nylon sealing washers on each of the studs followed by a 10-24 locking nut.
34. Remove the first two lock nuts used to help compress the gasket. Place one of the #10 white nylon sealing washers on each of these two studs, followed by reinstalling the 10-24 locking nut.
35. With all 10 studs now having a #10 white nylon sealing washer and a locking nut, slowly tighten using a crisscross pattern until the gasket forms to the tank surface.



36. Prep the new tank by making all the necessary connections (feeds, return, vent, and electrical) before placing tank in vehicle. In most cases, once the tank is placed in the vehicle these connections will not be accessible.

Note: Tank vent must be at least 6" above the top of the tank if a roll-over valve is used (highly recommended).

37. The diagram below represents a typical EFI setup.

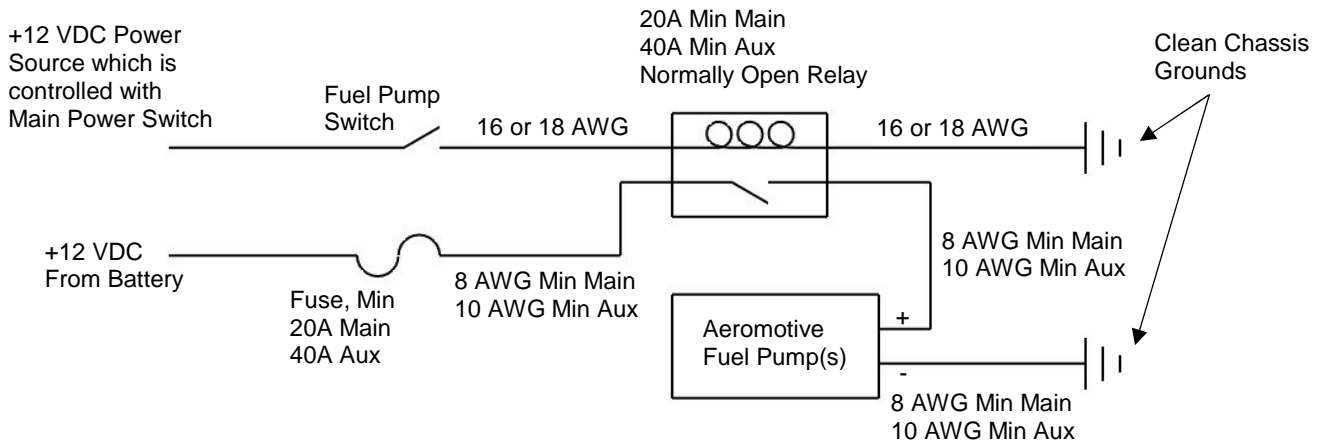


Note: Be sure to route all electrical wires clear of any moving suspension or drivetrain components and any exhaust components! Protect wires from abrasion and road obstructions or debris.

- Reinstall the fuel tank in the vehicle. In some cases it may be necessary to space the fuel tank down to allow additional clearance for the new pump outlet, top plate and fittings. 1/2" thick foam material is provided and should be divided and installed at the top of the tank on either side, between the tank and the trunk floor, to help space the fuel tank down if necessary. Additional fabrication may be necessary to gain clearance in extreme cases.
- Now route the feed and return lines under the vehicle and secure them to the chassis. It's recommended to install a post-filter between the fuel pump and the engine (see Aeromotive part #12321/12377/12341). Place the filter in a location that is clear of suspension and exhaust system components and easy to get to for servicing.

Note: Be sure to route all fuel lines clear of any moving suspension or drivetrain components, and any exhaust components! Protect fuel lines from abrasion and road obstructions or debris.

40. Connect electrical power (12 VDC) to each of the fuel pump power terminals. Make sure you use stranded, insulated copper wire, in the sizes shown, with matching crimp-type connectors for all connections. **CAUTION: The pump must be connected through a fused power source and not connected directly to the battery.** Connect each of the Aeromotive fuel pumps as shown in the following diagram: **NOTE: ONE RELAY AND FUSE PER PUMP "SIDE" (MAIN OR AUXILIARY TERMINALS).**



CAUTION: While performing the following steps, if any fuel leaks are detected, immediately turn the fuel pump OFF, remove any spilled fuel and repair the leak(s) before proceeding!

41. Turn the fuel pump ON **without starting the engine**, allow the pump to run for several seconds and check the fuel pressure. If there is no pressure, turn the fuel pump OFF, wait one minute, then turn the fuel pump ON and recheck the pressure. Repeat this fuel pump OFF and ON procedure until the fuel pressure gauge registers pressure or you detect a fuel leak. It may be necessary to loosen the fuel line fitting at the pressure regulator to bleed off excessive air in the system. Tighten any fuel line fittings which were loosened and insure that any spilled fuel is cleaned up and removed from the vicinity of the vehicle. If no pressure is registered on the gauge after running the pump for several seconds and you have found no leaks, check all fuel and electrical connections to determine the cause.
42. Once the fuel pressure gauge registers pressure, start the engine. The gauge on the fuel pressure regulator should register between 35 and 60 psi for EFI. Now adjust the fuel pressure regulator to the desired setting.

Test drive the vehicle to insure proper operation and re-check the fuel system for leaks. **If any leaks are found, immediately discontinue use of the vehicle and repair the leak(s)!**



WARNING: This product can expose you to chemicals, including chromium, which is known to the State of California to cause cancer or birth defects or other reproductive harm. For more information, visit: www.p65Warnings.ca.gov

AEROMOTIVE, INC. LIMITED WARRANTY

This Aeromotive Product, with proof of purchase dated on or after January 1, 2003, is warranted to be free from defects in materials and workmanship for a period of one year from the original date of purchase. No warranty claim will be valid without authentic, dated proof of purchase.

This warranty is to the original retail purchaser and none other and is available directly from Aeromotive and not through any point of distribution or purchase.

If a defect is suspected, the retail purchaser must contact Aeromotive directly to discuss the problem, possible solutions and obtain a Return Goods Authorization (RGA), if deemed necessary by the company. Please call 913-647-7300 and dial option 3 for the technical service dept. All returns must be shipped freight pre-paid to the company and with valid RGA before they will be processed.

Aeromotive will examine any product returned with the proper authorization to determine if the failure resulted from a defect or from abuse, improper installation, misapplication or alteration. Aeromotive will then, at it's sole discretion, return, repair or replace the product.

If any Aeromotive product is determined defective, buyer's exclusive remedy is limited in value to the sale price of the good. In no event shall Aeromotive be liable for incidental or consequential damages.

Aeromotive expressly retains the right to make changes and improvements in any product it manufactures and sells at any time. These changes and improvements may be made without notice at any time and without any obligation to change the catalogs or printed materials.

Aeromotive expressly retains the right to discontinue at any time and without notice any Aeromotive product that it manufactures or sells.

This warranty is limited and expressly limits any implied warranty to one year from the date of the original retail purchase on all Aeromotive products.

No person, party or corporate entity other than Aeromotive shall have the right to: determine whether or not this Limited Warranty is applicable to any Aeromotive product, authorize any action whatsoever under the terms and conditions of this Limited Warranty, assume any obligation or liability of any nature whatsoever on behalf of Aeromotive under the terms and conditions of this Limited Warranty.

This Limited Warranty covers only the product itself and not the cost of installation or removal.

This Limited Warranty is in lieu of and expressly excludes any and all other warranties, expressed or implied. This Limited Warranty gives you specific legal rights, and you may also have other rights which vary from state to state.