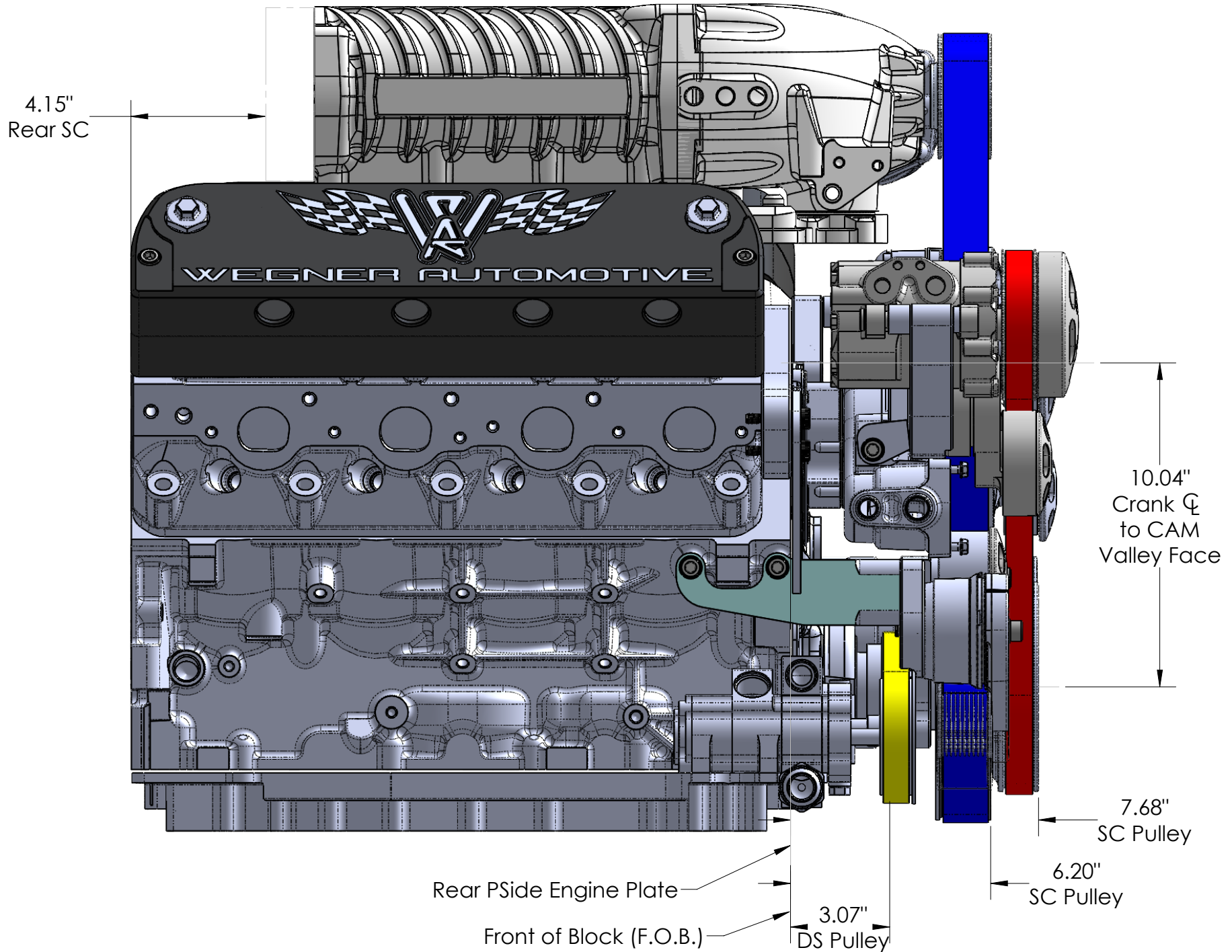


NOTE: ADDITIONAL INFO/DIMENSIONS
AVAILABLE IF NEEDED, PLEASE CALL OR EMAIL.

WAK075 Whipple 3.0L SC WEGNER AUTOMOTIVE

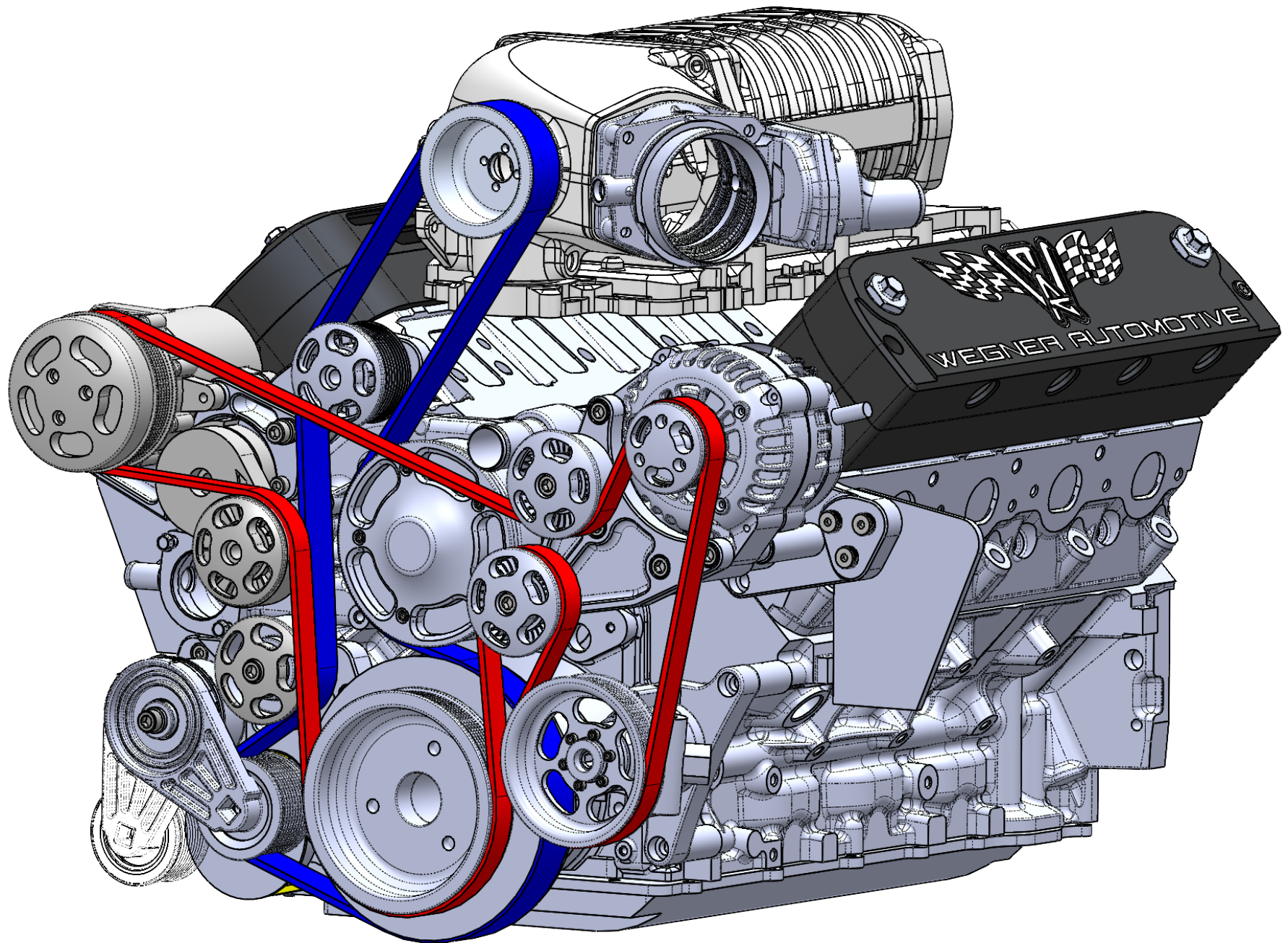




NOTE: ADDITIONAL INFO/DIMENSIONS
AVAILABLE IF NEEDED, PLEASE CALL OR EMAIL.

**WAK075 Whipple 3.0L SC
WEGNER AUTOMOTIVE**





**WAK075 Whipple 3.0L SC
WEGNER AUTOMOTIVE**

