



Track Heat® Intake Manifold for the Big Block Mopar

Thank you for purchasing the Trick Flow Track Heat intake manifold for your Big Block Mopar.

Please follow the steps outlined in this instruction manual to ensure that the installation of your intake manifold is done correctly and that they perform according to design.

Please read all of the enclosed information before beginning any work. If you have any questions regarding installation or the written materials supplied with your new intake manifold, contact the Trick Flow technical department at 1-330-630-1555 for assistance, Monday through Friday from 9:00 am to 5:00 pm ET.

Project Overview

- Review the instruction sheet
- Inspect the condition and cleanliness parts
- Verify the part numbers and quantities of each product received (see Parts Checklist below)
- Mail the warranty card to Trick Flow
- Locate recommended tools
- Purchase any additional parts needed (See Additional Parts Required section)
- Remove existing intake manifold
- Install the Trick Flow intake manifold
- Test Drive and Enjoy!

Recommended Tools

- Shop Manual for your vehicle
- Basic mechanics tool set (SAE / Metric sockets and combination wrenches)
- Timing light
- Vacuum gauge

Additional Parts Required

These components are required to complete the installation of your new intake manifold.

- Teflon thread sealant
- Intake gaskets: Fel Pro 1216

Parts Checklist

- (1) Trick Flow Track Heat intake manifold (TFS-61600111, 113)

If a part was received in error, please contact Trick Flow at 1-330-630-1555, Monday - Friday 9:00 am to 5:00 pm ET.

Installation

1. Place the intake manifold gaskets on the heads.
2. Use a factory style valley pan along with the recommended gaskets.
3. Put the Trick Flow intake manifold on the block and set it down evenly. Lightly coat your original intake bolts with sealant and put them in their proper holes.
4. Torque the intake bolts to 25 ft.-lbs. in two steps using the sequence shown in Figure 1. You must repeat the sequence until all the bolts are torqued to specification. The manifold will work its way into the proper position during this process.

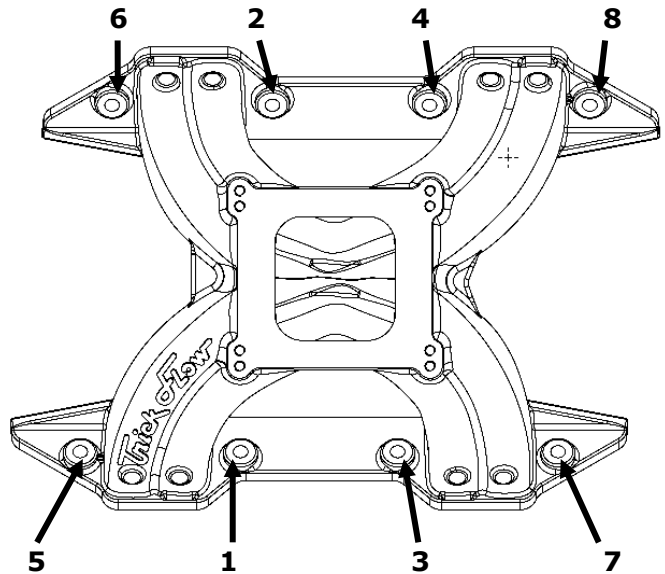


Figure 1

5. Once you finish installing your carburetor and accessories, check for any fuel leaks, tune your vehicle and test drive the vehicle.

Firing Order: 1-8-4-3-6-5-7-2

Ultimate Bolt-On Performance® Lifetime Warranty

Trick Flow Specialties cylinder head castings are backed by a lifetime warranty. If a cylinder head casting fails to provide the original purchaser with complete satisfaction, Trick Flow Specialties will repair or replace it free of charge — guaranteed!

Moreover, the valves, valve guides, valve seats, valve job, valve springs, valve spring retainers, valve locks, rocker arm studs, guideplates, and valve stem seals included on assembled Trick Flow Specialties cylinder heads are warranted to the original purchaser to be free from defects in materials and workmanship for a period of two years from the date of purchase. All other Trick Flow Specialties products are warranted to be free from defects in materials and workmanship for a period of 90 days. There are no mileage limitations.

Extent of Warranty

Customers who believe they have a defective product should return it to the dealer from which they purchased or ship it freight prepaid to Trick Flow Specialties along with proof of purchase and a complete description of the problem. If a thorough inspection indicates defects in materials or workmanship, our sole obligation is to repair or replace the product.

This warranty is only if the product is properly installed, subjected to normal use and service, did not fail due to owner negligence or misuse, and has not been altered or modified.

Trick Flow Specialties warranties do not cover any installation or removal costs.

Trick Flow Specialties is not liable for consequential damages for breach of contract of any warranty in excess of the purchase price of the product sold.

PROPOSITION 65 WARNING

This product may contain one or more substances or chemicals known to the state of California to cause cancer, birth defects or other reproductive harm.

TRICK FLOW SPECIALTIES
285 WEST AVE.
TALLMADGE, OHIO 44278
(330) 630-1555

