



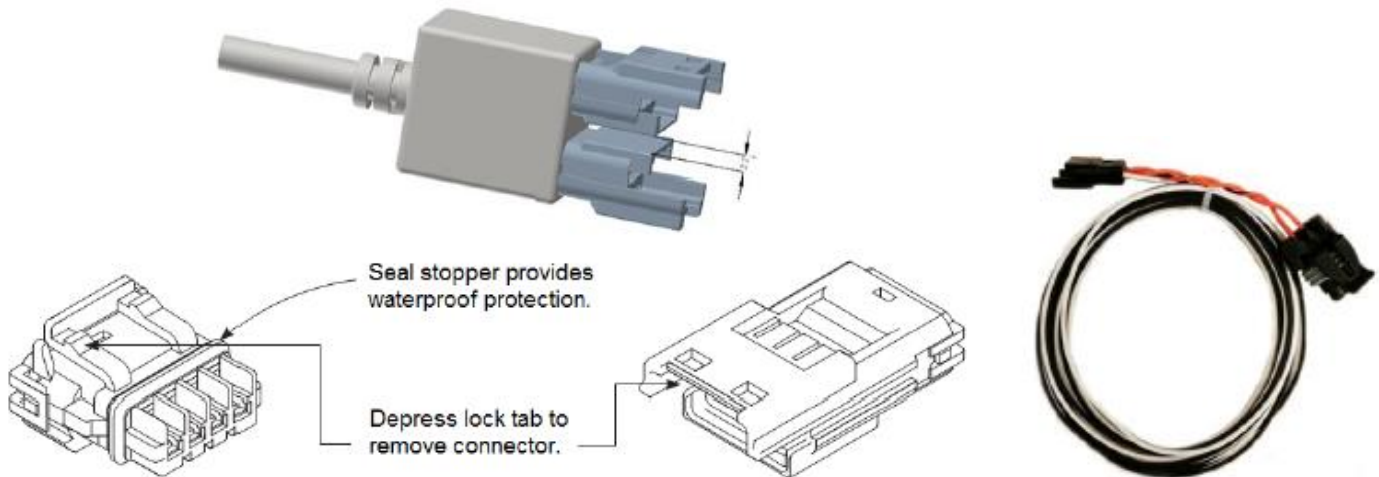
## 3.5” Touch Screen LCD Quick Start Guide

### CONNECTIONS

A CAN/power harness is supplied with the 3.5 TSLCD. Connect the black wire to negative and the white wire to a switched +12V circuit.

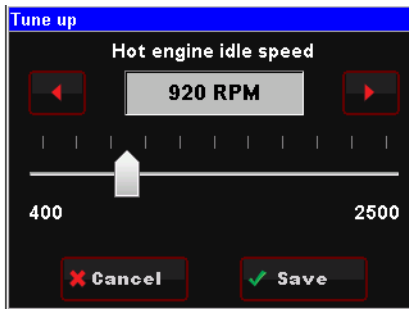
Connect the harness from the CAN connector on the vehicle's main harness to the 3.5 TSLCD using the supplied 4' CAN/Power extension.

Once all connections have been made, the Holley EFI 3.5 Touch Screen LCD may be powered up. After a brief initial loading sequence, the gauge display will appear.



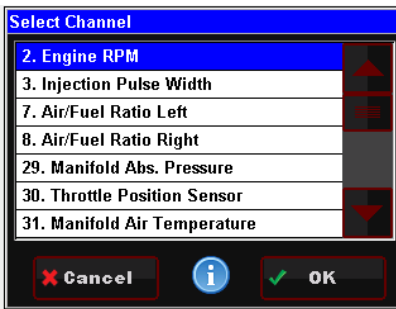
Pin	Function	Color	Description
1	+12V	WHT	Main power in
2	CAN1H	ORG/BLK	CAN H Holley EFI communications
3	CAN1L	ORG	CAN L Holley EFI communications
4	GND	BLK	GND

## MAKING ADJUSTMENTS



Slider Bar:

Slide the bar left or right with the stylus, or use the right and left arrow keys for fine adjustment



List:

Use the scroll bar on the right hand side of the screen to view all list entries. Touch the desired list item and click 'OK' to make a selection.



Radio Button:

Touch the desired list item to select it.

**[The CD included with your 3.5 Touch Screen LCD contains a full version of the User Manual.](#)**



On Screen Prompts:

Follow the on screen text and use buttons at the bottom of the screen to continue or confirm.



Graph:

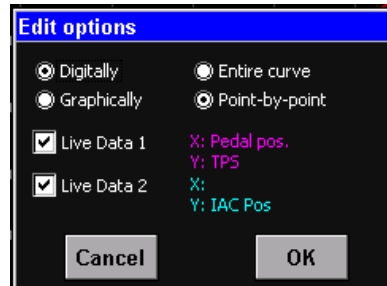
Digitally: Selecting this option enables slider bar adjustment of individual data points on the graph or the entire curve.

Graphically: Selecting this option enables single point or whole curve adjustment. A stylus may be used to select and drag data on the graph screen.

Entire Curve: Selecting this will 'lock' all the data points together allowing the entire curve to be shifted up or down.

Point by Point: Selecting this will allow point by point curve adjustment for fine tuning.

Live Data 1 & 2: This will enable live telemetry on the graph screen making fine tuning easier.



199R10572  
Date: 1-15-15