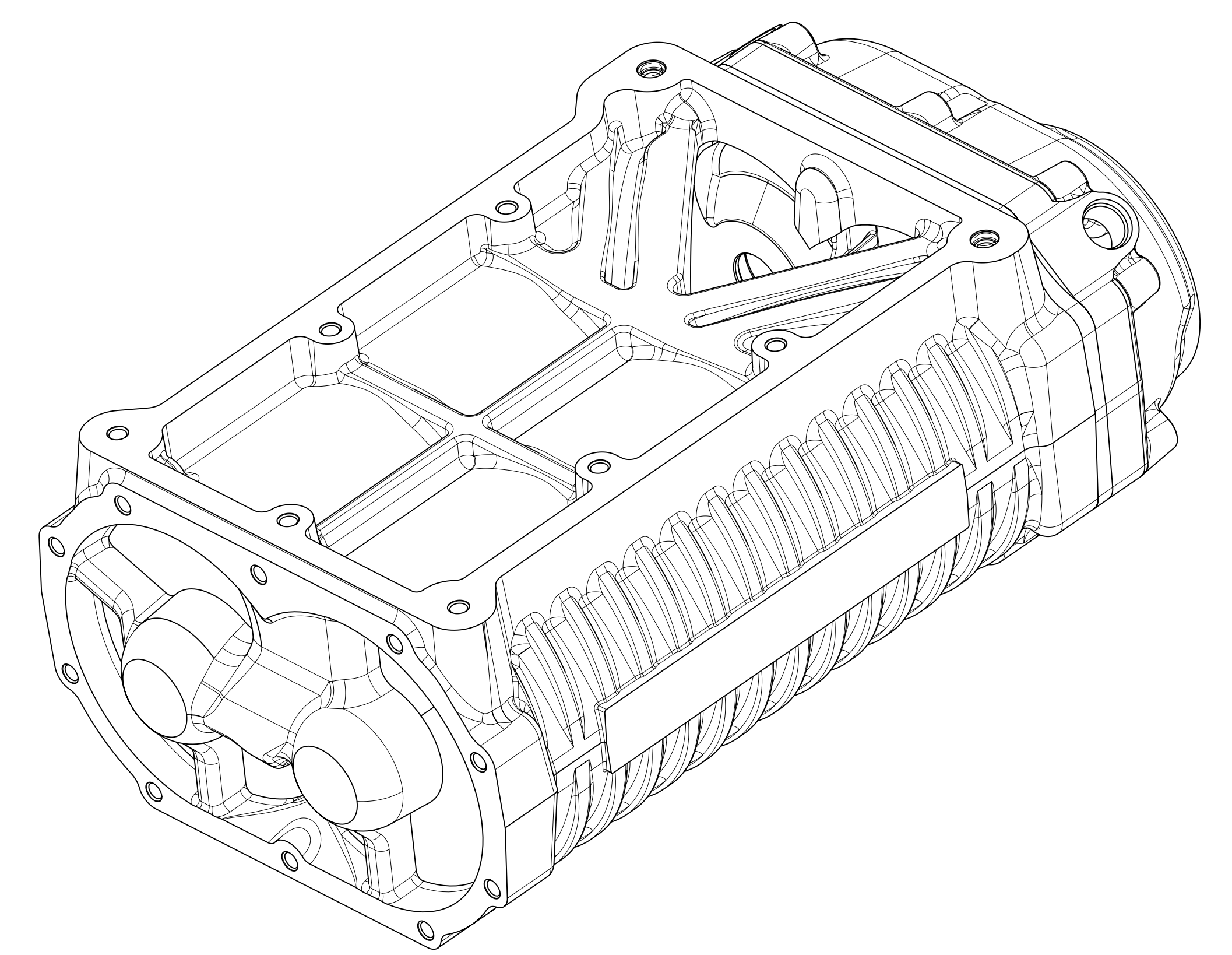
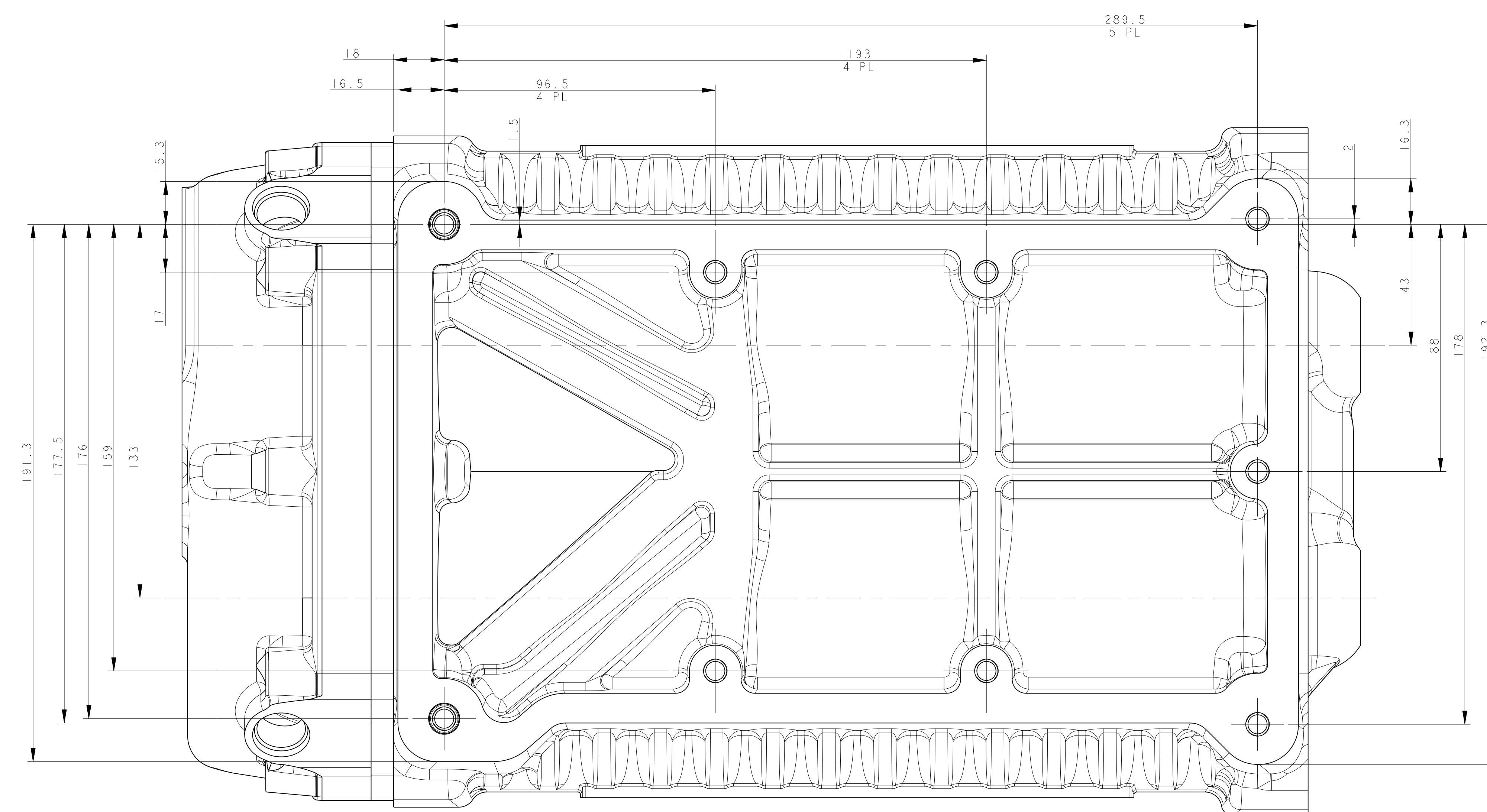
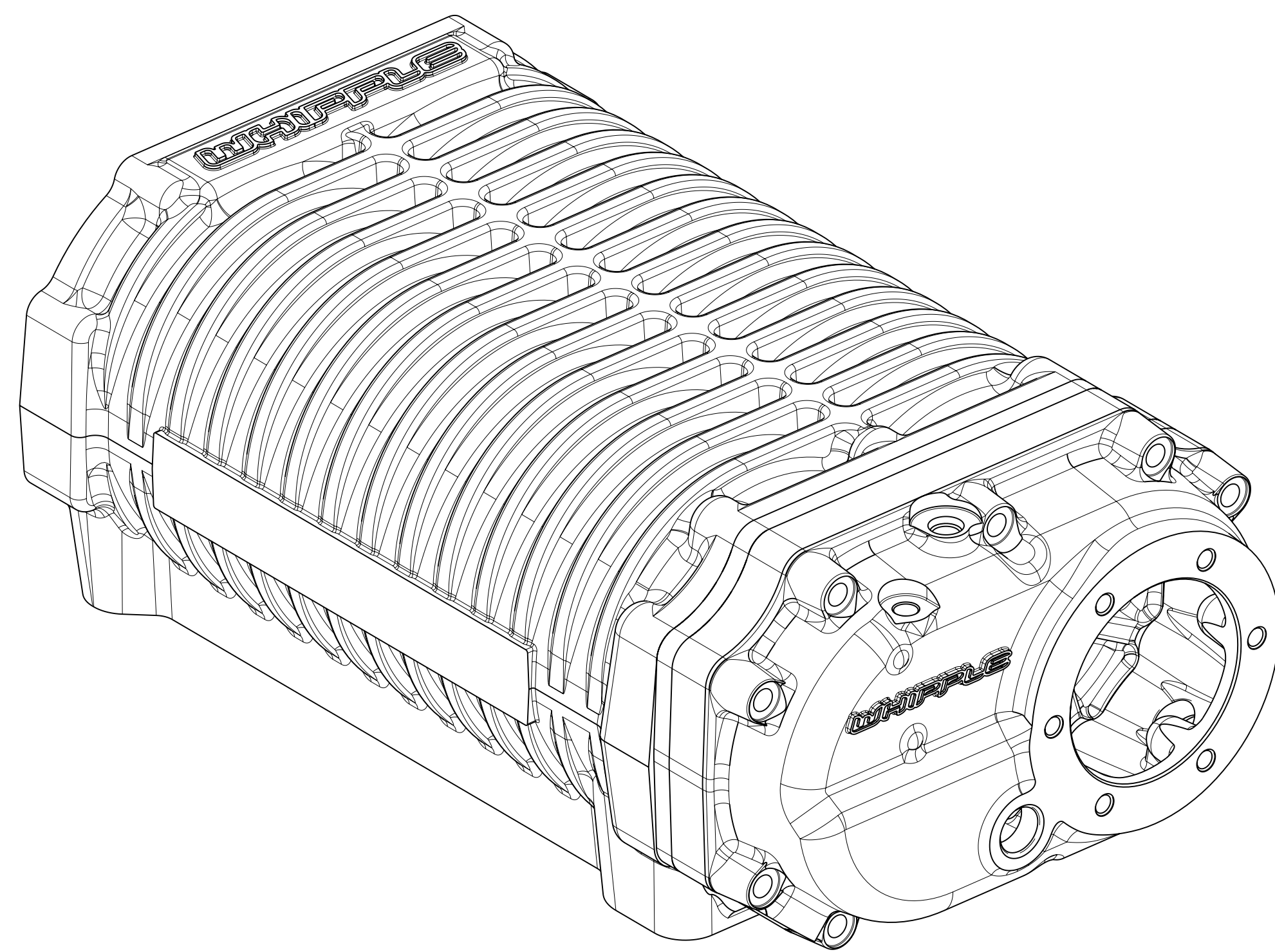
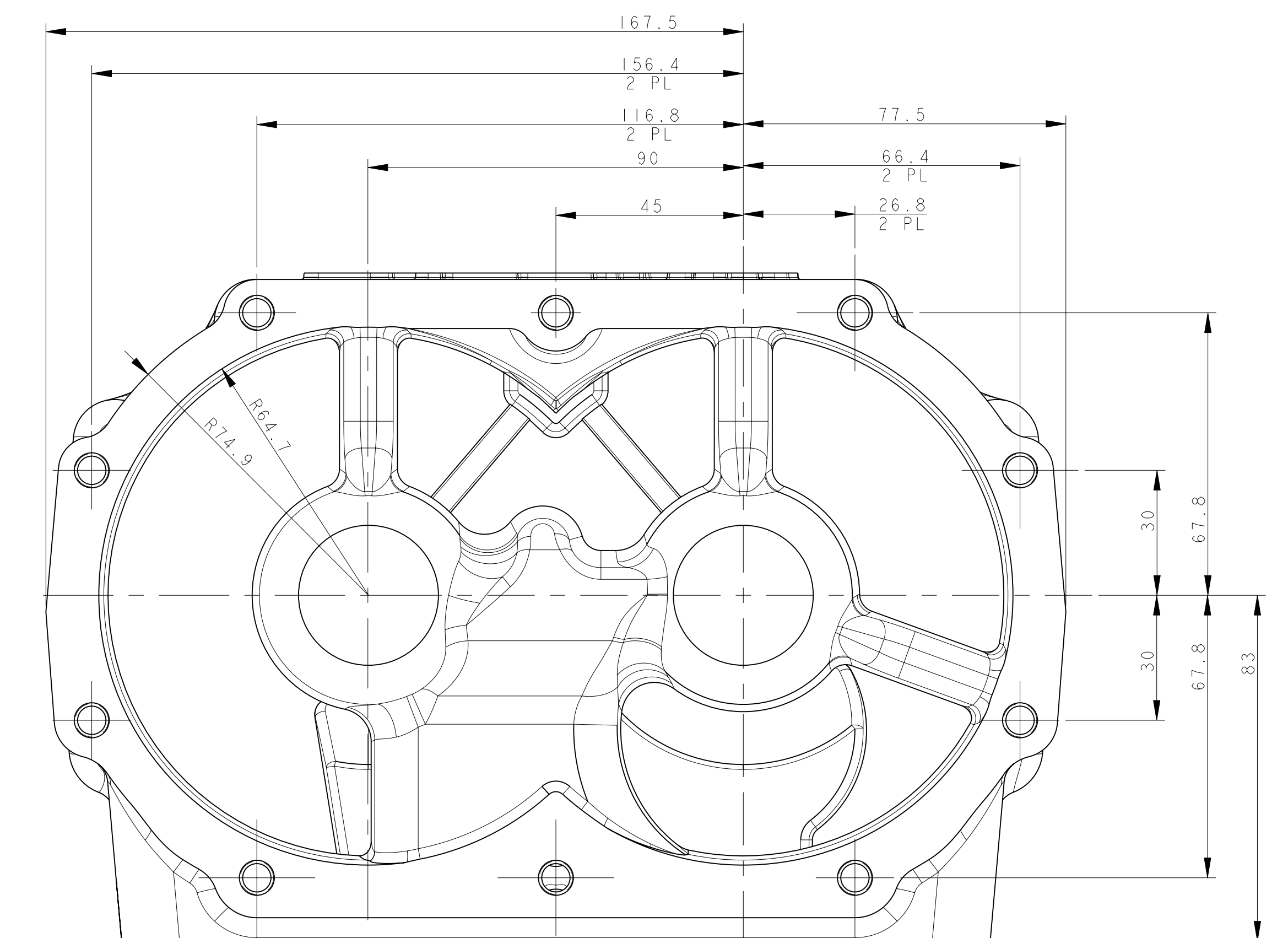
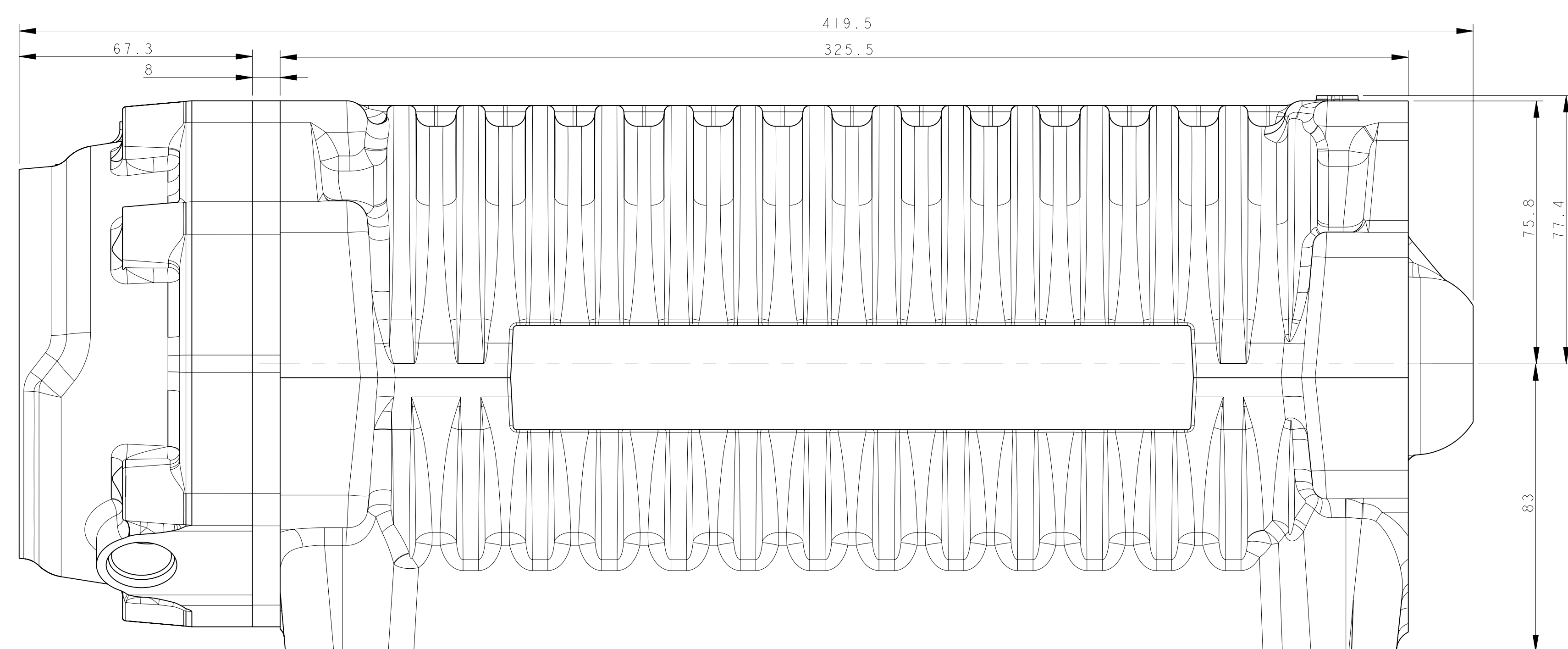
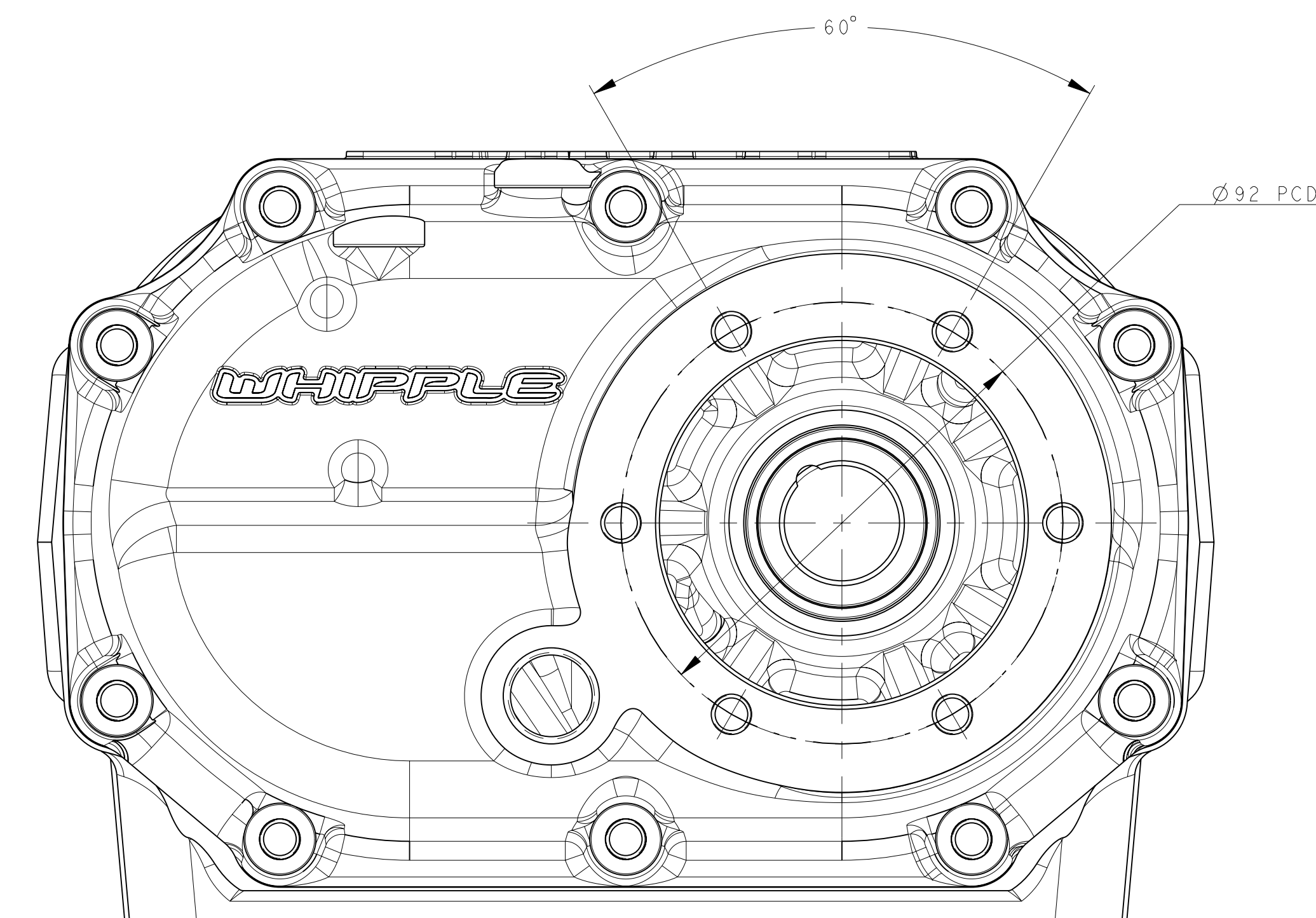
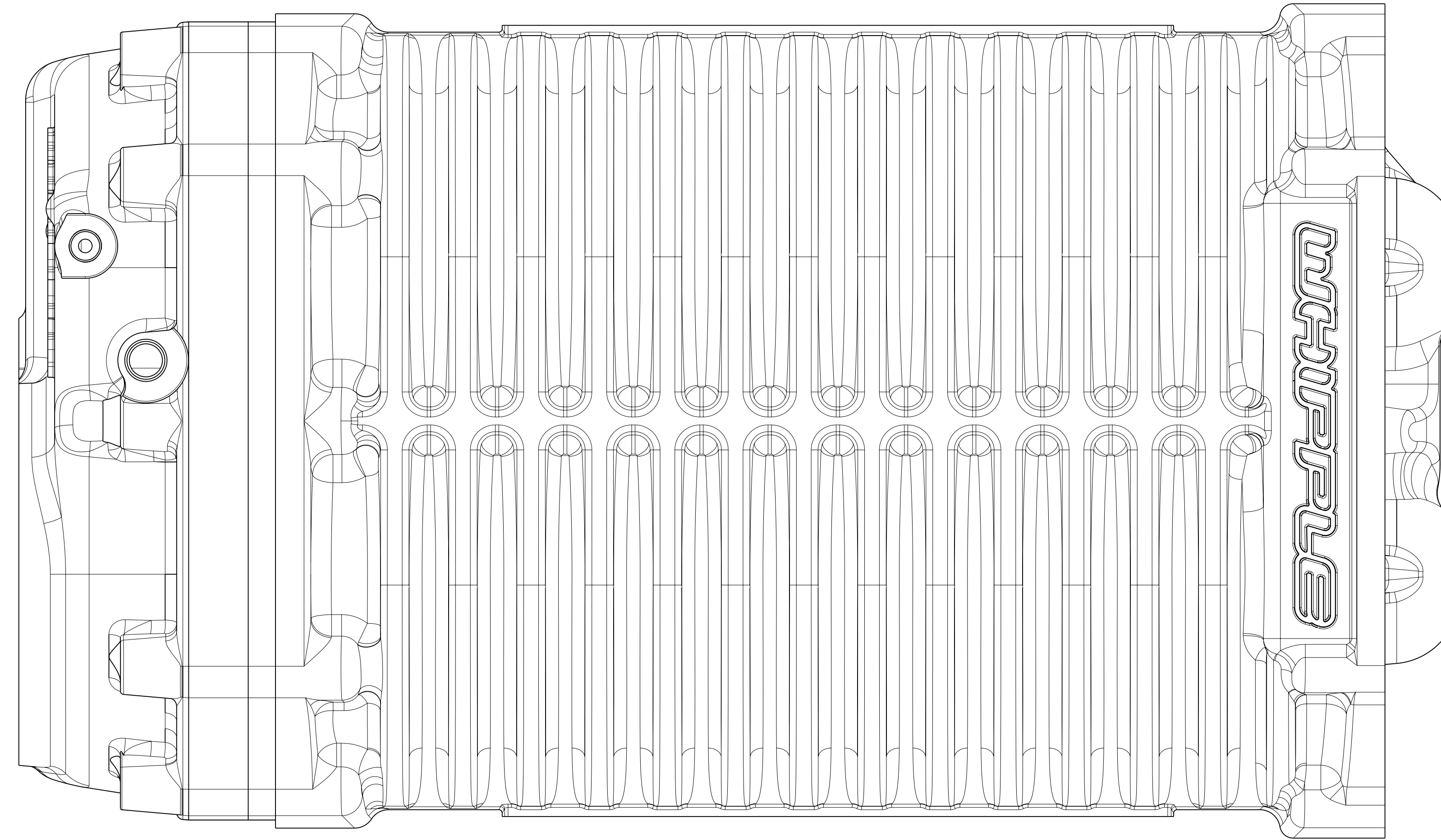


REV	DATE	BY	CHKD	DESCRIPTION



SURFACE FINISH (µm)		TOLERANCES		FINISH		TEXT	
Rz	12.5	±0.1	±0.05	1	2	1	2
Rz	6.3	±0.1	±0.05	1	2	1	2

**THIRD ANGLE PROJECTION**  
 UNLESS OTHERWISE SPECIFIED:  
 1. DIMENSIONS ARE IN MILLIMETERS  
 2. DIMENSIONS IN PARENTHESES ARE FOR INFORMATION ONLY  
 3. DIMENSIONS APPLY AFTER FINISHING  
 4. DIMENSIONS ARE TO UNLESS OTHERWISE SPECIFIED

**OPEN TOLERANCES:**  
 ±0.15mm ±0.05  
 ±0.20mm ±0.10  
 ±0.30mm ±0.15  
 ±0.40mm ±0.20  
 ±0.50mm ±0.25  
 ±0.60mm ±0.30  
 ±0.80mm ±0.40  
 ±1.00mm ±0.50  
 ANGLES: ±0.5 DEG

**SURFACE PREPARATION:**  
 AFTER SURFACE PREPARATION:  
 1. LAZER MACHINING  
 2. STAMP, FINE MESH  
 3. METAL TAG, STICKER  
 4. PLASTIC BAG

**NO. QTY PART NUMBER**  
 1 1 YH06-WP134-0002 HOUSING, W275  
 2 1 YH06-WP134-0006 DRIVE COVER, W275  
 1 1 YH06-WP134-0004 BEARING PLATE, W275

**MATERIAL:**  
 ALUMINUM 6061-T6

**TREATMENT:**  
 ANODIZING

**DATE:** 06/25/12  
**DATE:** 06/25/12  
**DATE:** 06/25/12

**SCALE:** 1:0  
**SHEET:** 1 OF 1

**WHIPPLE SUPERCHARGERS**